

# Ceiling Mounted Sound Diffusers

## APPLICATION:

For installing Diffusers direct to ceiling.

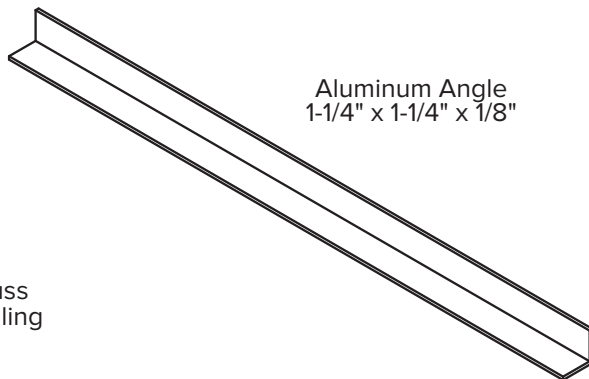
## TOOLS NEEDED:

Drill, Fasteners (by others).

## MOUNTING HARDWARE:



#8 x 3/4" Truss Head Self-Drilling Screw



Aluminum Angle  
1-1/4" x 1-1/4" x 1/8"

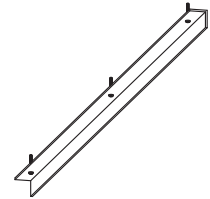
(Fasteners to attach aluminum angle to ceiling by others)

## INSTALLATION INSTRUCTIONS:

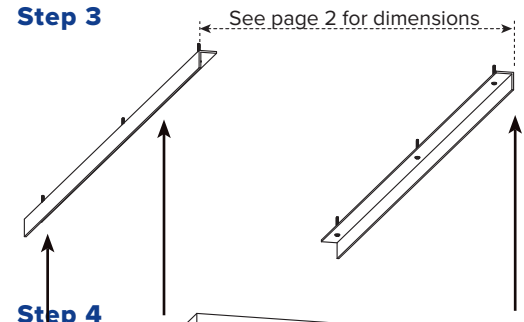
1. Each Diffuser requires two (2) angles attached to the ceiling.  
**Note: Each aluminum angle is 2" shorter than the overall length of the Diffuser.**
2. Locate the aluminum angle 1" from the front edge of your Diffuser and use fasteners (by others) to secure to ceiling.
3. Measure distance from the outside edge of the first angle to the outside edge of the second angle, the distance between each angle will be 1/4" less than the overall Diffuser width. Make sure the ends of the angles align. Use fasteners (by others) to secure to ceiling. See page 2 for exact layout dimensions.
4. Place the Diffuser over the two angles and fasten with three (3) #8 x 3/4" truss head self-drilling screws on each side. Screws to be located 3/4" down from ceiling and 3" over from Diffuser edge and one in the center.
5. Repeat for additional Diffusers.

**Maintain a minimum of 6" between Diffusers.**

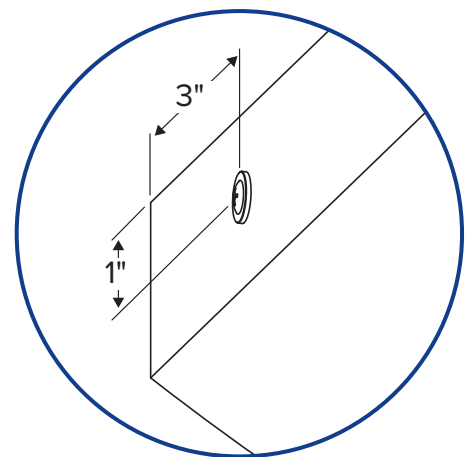
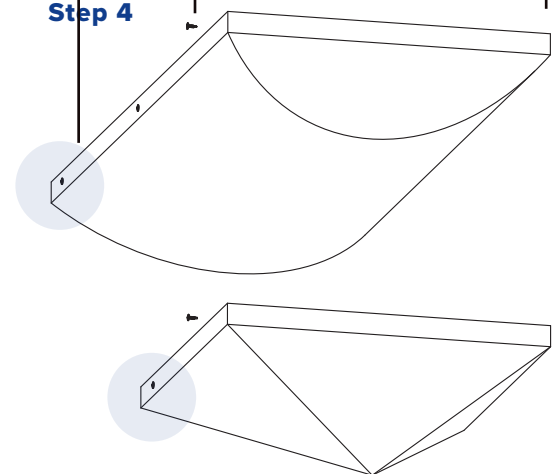
## Step 2



## Step 3



## Step 4



# Ceiling Mounted Sound Diffusers

