



Acoustical Surfaces, Inc.

Soundproofing, Acoustics, Noise & Vibration Control Specialists

123 Columbia Court North • Suite 201 • Chaska, MN 55318
(952) 448-5300 • Fax (952) 448-2613 • (800) 448-0121

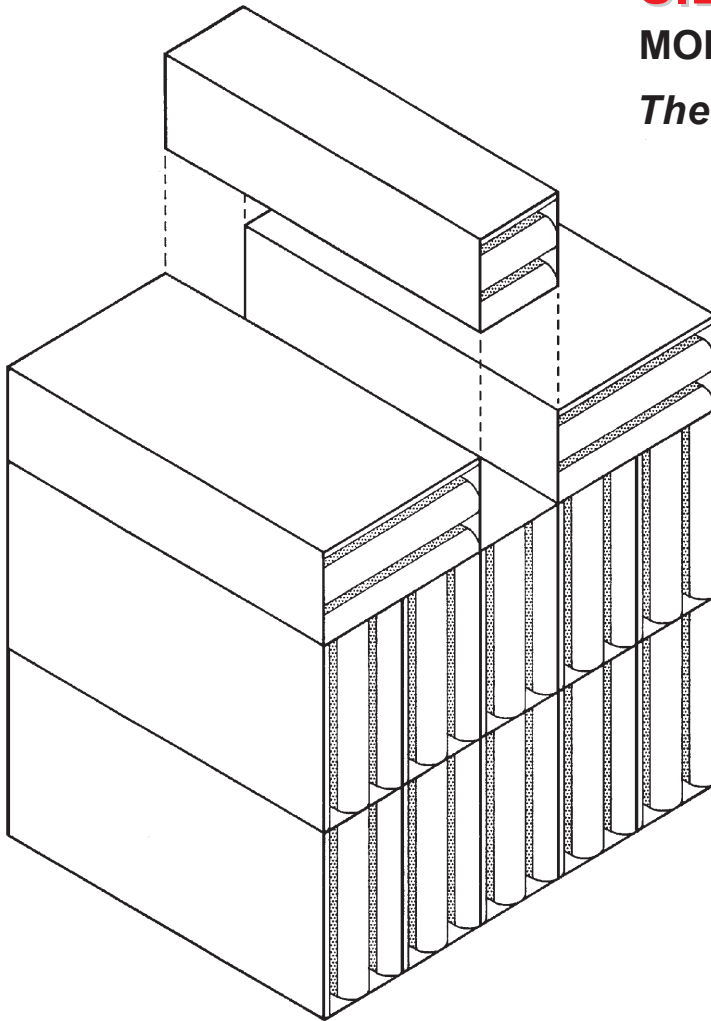
Email: sales@acousticalsurfaces.com
Visit our Website: www.acousticalsurfaces.com

We Identify and **S.T.O.P.** Your Noise Problems

SILENT – MOD SILENCERS™

MODULAR SILENCER CONSTRUCTION

The Parallel Aeromechanic Placement of Single Silencers.



- Silent-Mod Silencers are available in standard modular sizes from 6" to 48".
- Silent-Mod Modular Silencers can be stacked to achieve size desired.
- *Benefits of Modular Silencers.*
 - ◆ Easier handling.
 - ◆ Smaller sized modules can be fabricated from lighter gauge steel.
 - ◆ Easier shipping.
 - ◆ Lighter gauge construction equals lower cost.

Silent-Mod Silencers can be used in installations to reduce equipment noise levels through intake and discharge openings, in buildings or generator enclosures.

**Whatever your Silencer requirements are,
Call **ACOUSTICAL SURFACES INC.**
for engineered solutions.**