



Acoustical Surfaces, Inc.

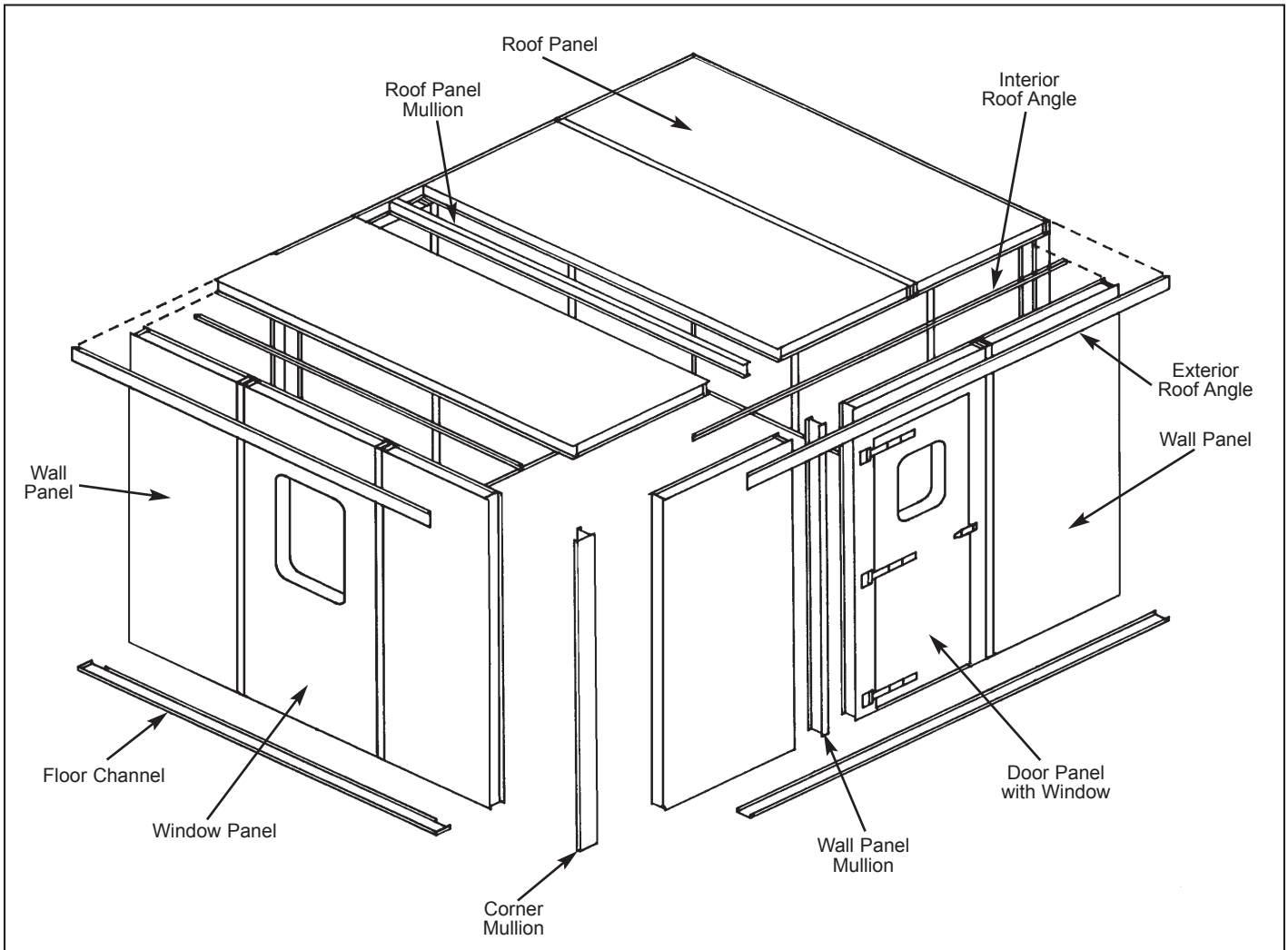
Soundproofing, Acoustics, Noise & Vibration Control Specialists

123 Columbia Court North • Suite 201 • Chaska, MN 55318
 (952) 448-5300 • Fax (952) 448-2613 • (800) 448-0121

Email: sales@acousticalsurfaces.com
 Visit our Website: www.acousticalsurfaces.com

We Identify and **S.T.O.P.** Your Noise Problems

TYPICAL SILENT – MOD ACOUSTIC ENCLOSURE ASSEMBLY™



TYPICAL ENCLOSURE – Exploded View of Enclosure Components.

- Soundproofing Products • Sonex™ Ceiling & Wall Panels • Sound Control Curtains • Equipment Enclosures • Acoustical Baffles & Banners • Solid Wood & Veneer
- Acoustical Ceiling & Wall Systems • Professional Audio Acoustics • Vibration & Damping Control • Fire Retardant Acoustics • Hearing Protection • Moisture & Impact Resistant
- Products • Floor Impact Noise Reduction • Sound Absorbers • Noise Barriers • Fabric Wrapped Wall Panels • Acoustical Foam (Egg Crate) • Acoustical Sealants &
- Adhesives • Outdoor Noise Control • Assistive Listening Devices • OSHA, FDA, ADA Compliance • On-Site Acoustical Analysis • Acoustical Design & Consulting
- Large Inventory • Fast Shipment • No Project too Large or Small • Major Credit Cards Accepted •