



# Acoustical Surfaces, Inc.

Soundproofing, Acoustics, Noise & Vibration Control Specialists

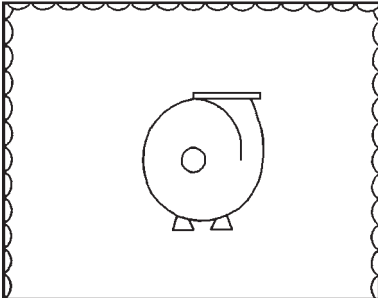
123 Columbia Court North • Suite 201 • Chaska, MN 55318  
(952) 448-5300 • Fax (952) 448-2613 • (800) 448-0121

Email: [sales@acousticalsurfaces.com](mailto:sales@acousticalsurfaces.com)  
Visit our Website: [www.acousticalsurfaces.com](http://www.acousticalsurfaces.com)

We Identify and **S.T.O.P.** Your Noise Problems

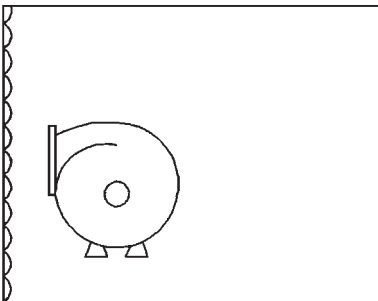
## 4 WAYS TO QUIET A NOISY MACHINE

### 1. Treat the Room



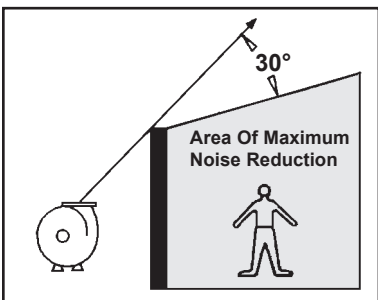
- **Maximum noise reduction:** 6-9 decibels (30-40% decrease in loudness).
- **Advantages:** No inconvenience to workers.
- **Disadvantages:** Almost all of the room must be treated regardless of the size of the noise source.
- “QFA” – Quilted Fiberglass Sound Absorption Products...or Polywrap Baffles or Sanitary Baffles, depending upon specifics of application.

### 2. Treat the Wall Behind the Noise



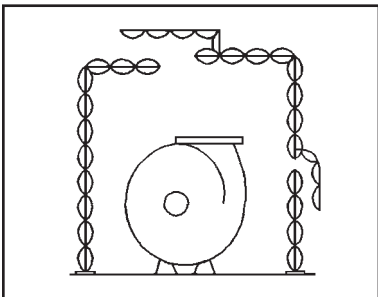
- **Maximum noise reduction:** 1-2 decibels if noise source sprays noise out into room, 4-6 decibels if noise is sprayed directly onto wall (such as noisy vent on the back of a machine).
- **Advantages:** No inconvenience to workers.
- **How much QFA?** Treat the wall behind the machine with about twice the square footage of the “shadow” of the machine on the wall.

### 3. Build a Barrier or Partial Enclosure



- **Maximum noise reduction:** 6-15 decibels.
- **Advantages:** Very good noise reduction.
- **Concerns:** May have to incorporate view windows for visibility and/or sliding panels for access.
- **What Size?** At a minimum, 8' high. Typically they should be double the height of the noise source.
- “BSC” or “BBC” sound absorption/noise barrier composites.

### 4. Build a Complete Enclosure



- **Noise reduction:** Up to 20-30 decibels.
- **Advantages:** maximum noise reduction.
- **Concerns:** May have to incorporate view windows for visibility and/or sliding panels for access as well as ventilation baffle(s) for air flow.
- “BSC” or “BBC” sound absorption/noise barrier composites.