



Acoustical Surfaces, Inc.

123 Columbia Court North, Suite 201
Chaska, MN 55318
Tel: (952)-448-5300
Fax: (952)-448-2813
1-(800)-854-2948

www.acousticalsurfaces.com
sales@acousticalsurfaces.com

File No.

ECHO ELIMINATOR EGGCRATE.DWG

Issue Date

7/8/2010

Revised

Drawn By

MTH

Checked By

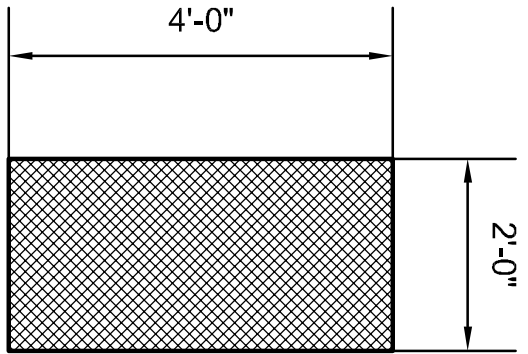
PROJECT

DRAWING TITLE

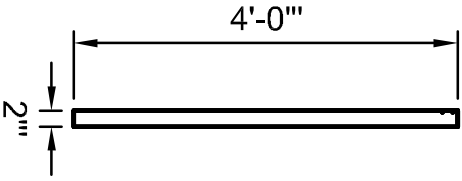
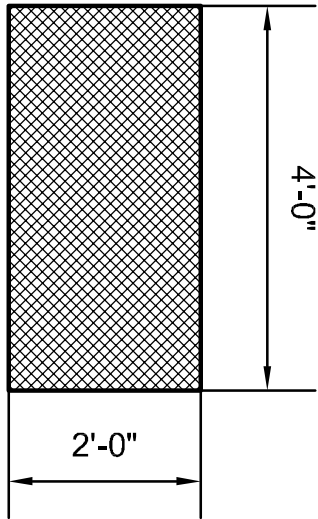
ECHO ELIMINATOR
EGGCRATE

DRAWING NO.

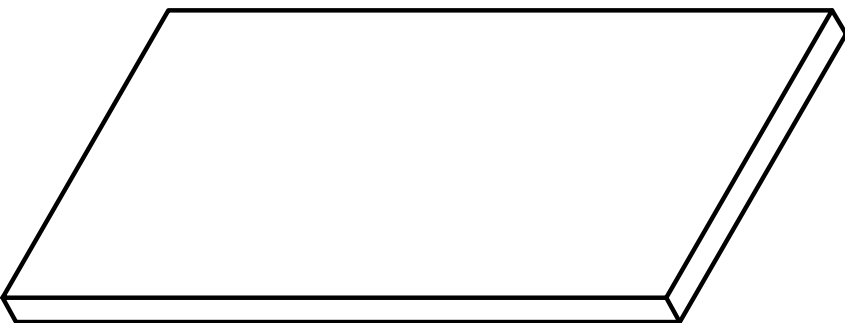
ASS.1



1 FRONT ELEVATION
1/2"=1'-0"



2 SIDE ELEVATION
1/2"=1'-0"



3 PERSPECTIVE
N.T.S.