



**Acoustical Surfaces, Inc.**

123 Columbia Court North, Suite 201  
Chaska, MN 55318  
Tel: (952)-448-5300  
Fax: (952)-448-2813  
1-(800)-854-2948  
www.acousticalsurfaces.com  
sales@acousticalsurfaces.com

File No.  
ECHO BAFFLES.DWG

Issue Date  
5/25/2010

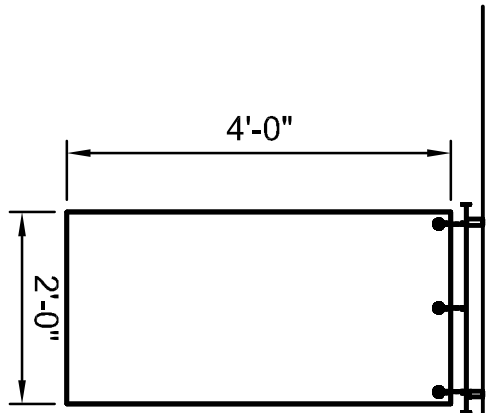
Revised  
Drawn By  
MTH

Checked By  
PROJECT

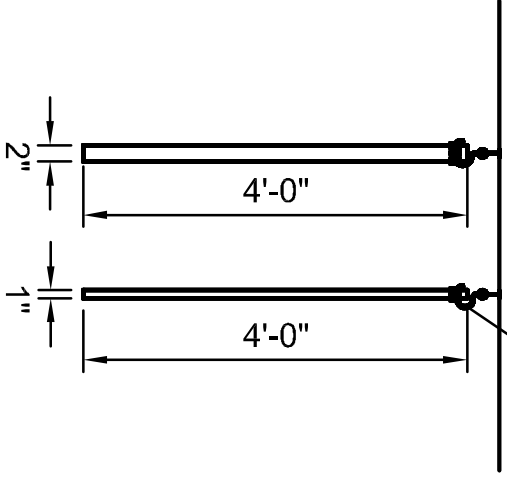
DRAWING TITLE  
ECHO ELIMINATOR  
BAFFLE

DRAWING NO.

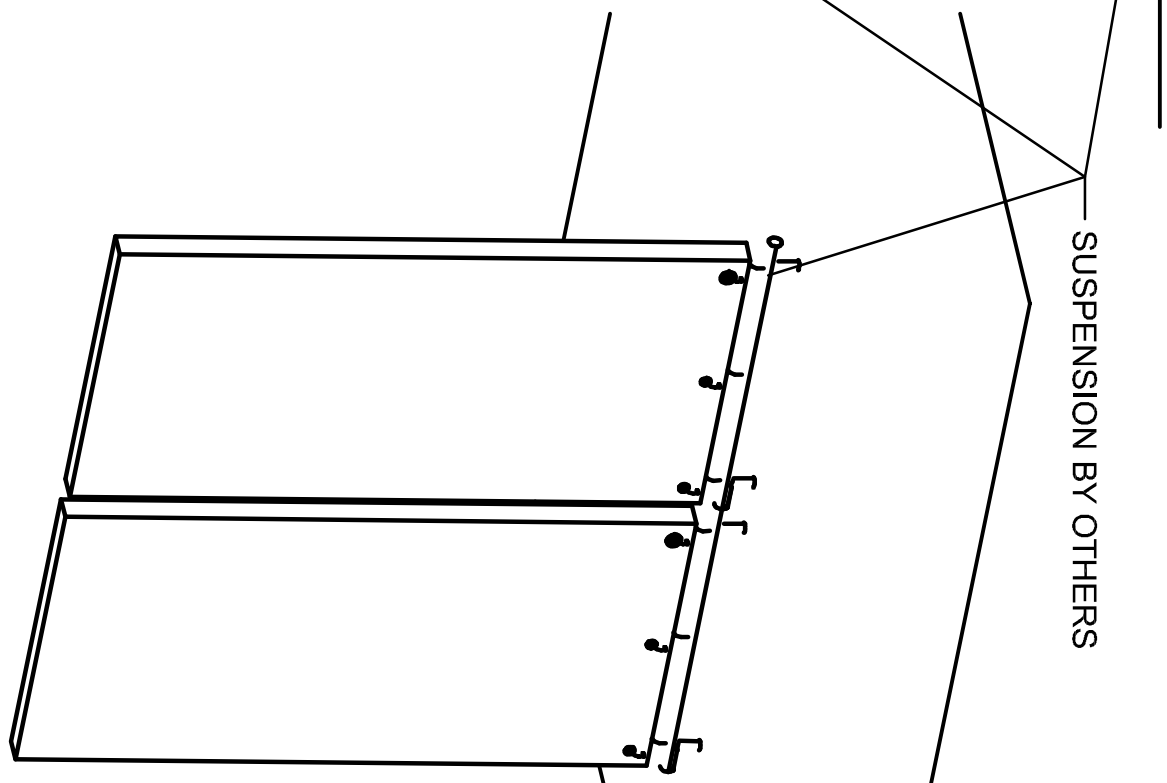
ASS.2



1 FRONT ELEVATION  
1/2"=1'-0"



2 SIDE ELEVATION  
1/2"=1'-0"



3 PERSPECTIVE  
N.T.S.