



Acoustical Surfaces, Inc.

SOUNDPROOFING, ACOUSTICS, NOISE & VIBRATION CONTROL SPECIALISTS
 123 Columbia Court North • Suite 201 • Chaska, MN 55318
 (952) 448-5300 • Fax (952) 448-2613 • (800) 448-0121
 Email: sales@acousticalsurfaces.com
 Visit our Website: www.acousticalsurfaces.com

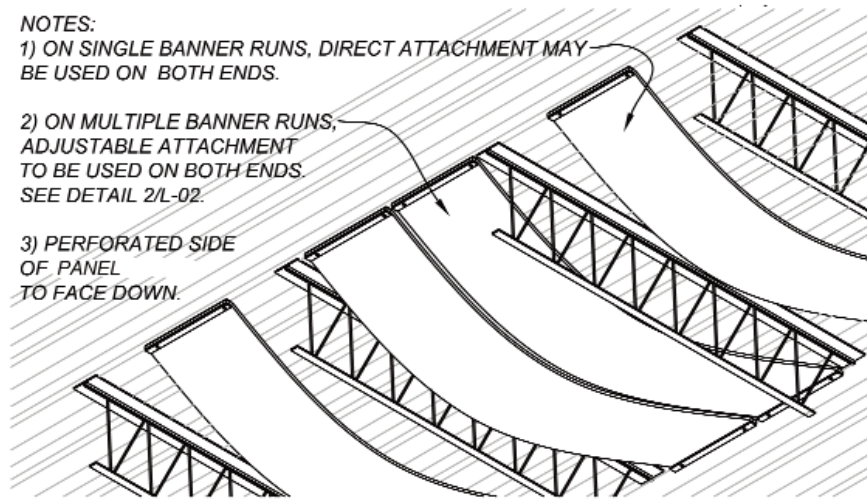
We Identify and **S.T.O.P.** Your Noise Problems

NOTES:

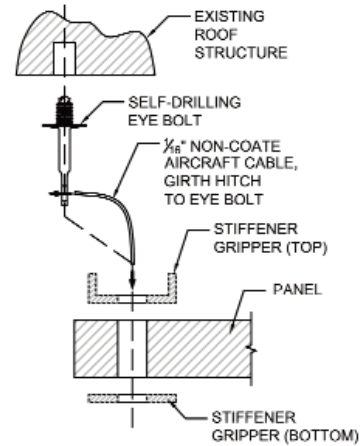
1) ON SINGLE BANNER RUNS, DIRECT ATTACHMENT MAY BE USED ON BOTH ENDS.

2) ON MULTIPLE BANNER RUNS, ADJUSTABLE ATTACHMENT TO BE USED ON BOTH ENDS. SEE DETAIL 2/L-02.

3) PERFORATED SIDE OF PANEL TO FACE DOWN.

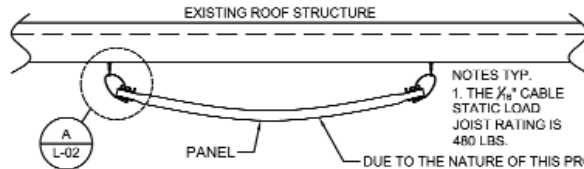


1 VIEW FROM BELOW
 L-02 SCALE: NA



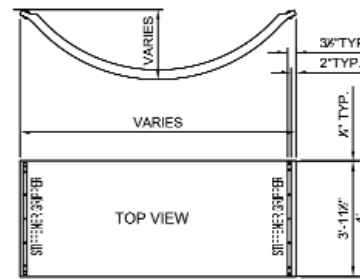
A HARDWARE ATTACHMENT DETAIL
 L-02 SCALE: NA

NOTE: DETAIL DRAWN TO SHOW SUSPENSION ATTACHMENTS ONLY. IT IS NOT REPRESENTATIVE OF AN ACTUAL INSTALLATION.



2 PANEL - TYP. END ATTACHMENT DETAIL
 L-02 SCALE: NA

NOTES TYP.
 1. THE 1/8" CABLE STATIC LOAD JOIST RATING IS 480 LBS.
 DUE TO THE NATURE OF THIS PRODUCT, FESTOON DEPTH MAY VARY. AIRCRAFT CABLE ADJUSTMENTS MAY BE NECESSARY.



B STIFFENER/GRIPPER DETAIL
 L-02 SCALE: NA

NOTE: FESTOON DIMENSION RANGES FROM 30" MIN. TO 8'-0" MAX. DEPENDING ON THE OVERALL LENGTH

| Revisions: | | |
|------------|------|-------------|
| No. | Date | Description |
| | | |
| | | |
| | | |

Sheet Description:
Direct Attachment to Roof Deck

| | |
|--------------|-----|
| Drawn By: | CPB |
| Checked By: | - |
| Approved By: | - |

| | |
|--------------|-------------|
| Date: | 08/13/10 |
| Scale: | VARIABLES |
| Drawing Ref: | None |
| Drawing: | L-02 |