



# Acoustical Surfaces, Inc.

**SOUNDPROOFING, ACOUSTICS, NOISE & VIBRATION CONTROL SPECIALISTS**

123 Columbia Court North • Suite 201 • Chaska, MN 55318

(952) 448-5300 • Fax (952) 448-2613 • (800) 448-0121

Email: [sales@acousticalsurfaces.com](mailto:sales@acousticalsurfaces.com)

Visit our Website: [www.acousticalsurfaces.com](http://www.acousticalsurfaces.com)

---

---

**We Identify and **S.T.O.P.** Your Noise Problem**

Acoustical Surfaces, Inc.  
A Master Distributor for  
PAC INTERNATIONAL, INC.



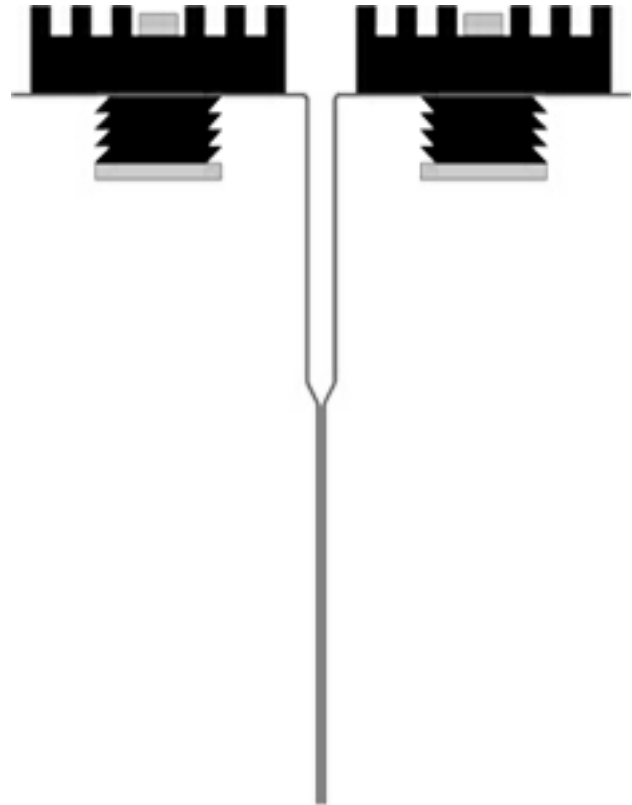
## RSIC-DC04X2™

*Shower Pipe/Plumbing Isolator*

*The Sound of Silence*

### RSIC-DC04X2 Resilient Sound Isolation DeCouple Clip

The RSIC-DC04™ and RSIC-DC04X2™ are very versatile products. The most common use is the decoupling of wall systems. The design of the RSIC-DC04™ can be used in new construction or retrofit. The RSIC-DC04X2™ is twice as strong as the RSIC-DC04™ for use when heavy items need to be acoustically decoupled for noise isolation. Below are some examples of the possible uses for the RSIC-DC04™.



*Continued on next page.*

*Page 1*



# Acoustical Surfaces, Inc.

**SOUNDPROOFING, ACOUSTICS, NOISE & VIBRATION CONTROL SPECIALISTS**

123 Columbia Court North • Suite 201 • Chaska, MN 55318

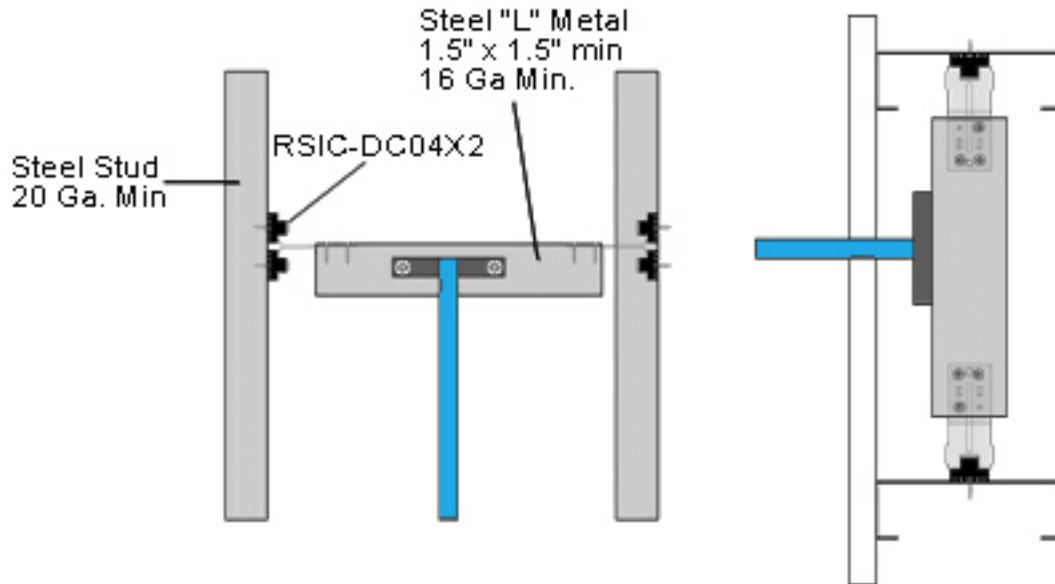
(952) 448-5300 • Fax (952) 448-2613 • (800) 448-0121

Email: [sales@acousticalsurfaces.com](mailto:sales@acousticalsurfaces.com)

Visit our Website: [www.acousticalsurfaces.com](http://www.acousticalsurfaces.com)

***We Identify and S.T.O.P. Your Noise Problem***

## Shower Pipe/Plumbing Isolator:



*Continued on next page.*

*Page 2*

- Soundproofing Products • Sonex™ Ceiling & Wall Panels • Sound Control Curtains • Equipment Enclosures • Acoustical Baffles & Banners • Solid Wood & Veneer Acoustical Ceiling & Wall Systems
- Professional Audio Acoustics • Vibration & Damping Control • Fire Retardant Acoustics • Hearing Protection • Moisture & Impact Resistant Products • Floor Impact Noise Reduction
- Sound Absorbers • Noise Barriers • Fabric Wrapped Wall Panels • Acoustical Foam (Egg Crate) • Acoustical Sealants & Adhesives • Outdoor Noise Control • Assistive Listening Devices
- OSHA, FDA, ADA Compliance • On-Site Acoustical Analysis • Acoustical Design & Consulting • Large Inventory • Fast Shipment • No Project too Large or Small • Major Credit Cards Accepted



# Acoustical Surfaces, Inc.

**SOUNDPROOFING, ACOUSTICS, NOISE & VIBRATION CONTROL SPECIALISTS**

123 Columbia Court North • Suite 201 • Chaska, MN 55318

(952) 448-5300 • Fax (952) 448-2613 • (800) 448-0121

Email: [sales@acousticalsurfaces.com](mailto:sales@acousticalsurfaces.com)

Visit our Website: [www.acousticalsurfaces.com](http://www.acousticalsurfaces.com)

***We Identify and S.T.O.P. Your Noise Problem***

## RSIC-DC04X2

### RSIC-DC04X2 CLIP DIMENSIONS

