



Acoustical Surfaces, Inc.

SOUNDPROOFING, ACOUSTICS, NOISE & VIBRATION CONTROL SPECIALISTS

123 Columbia Court North • Suite 201 • Chaska, MN 55318

(952) 448-5300 • Fax (952) 448-2613 • (800) 448-0121

Email: sales@acousticalsurfaces.com

Visit our Website: www.acousticalsurfaces.com

We Identify and S.T.O.P. Your Noise Problem

Acoustical Surfaces, Inc.
A Master Distributor for
PAC INTERNATIONAL, INC.



RSIC-DC04

Resilient Sound Isolation DeCouple Clip

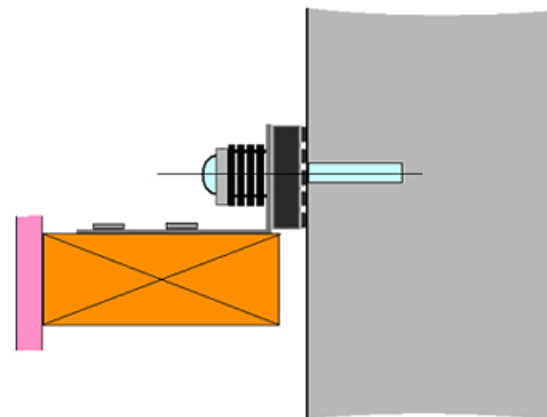
The Sound of Silence

RSIC-DC04 Resilient Sound Isolation DeCouple Clip

The RSIC-DC04™ and RSIC-DC04X2™ are very versatile products. The most common use is the decoupling of wall systems. The design of the RSIC-DC04™ can be used in new construction or retrofit. The RSIC-DC04X2™ is twice as strong as the RSIC-DC04™ for use when heavy items need to be acoustically decoupled for noise isolation. Below are some examples of the possible uses for the RSIC-DC04™.



RSIC-DC04



De-coupled Wall System

Continued on next page.

Page 1



Acoustical Surfaces, Inc.

SOUNDPROOFING, ACOUSTICS, NOISE & VIBRATION CONTROL SPECIALISTS

123 Columbia Court North • Suite 201 • Chaska, MN 55318

(952) 448-5300 • Fax (952) 448-2613 • (800) 448-0121

Email: sales@acousticalsurfaces.com

Visit our Website: www.acousticalsurfaces.com

*We Identify and **S.T.O.P.** Your Noise Problem*

RSIC-DC04

RSIC-DC04 CLIP DIMENSIONS

