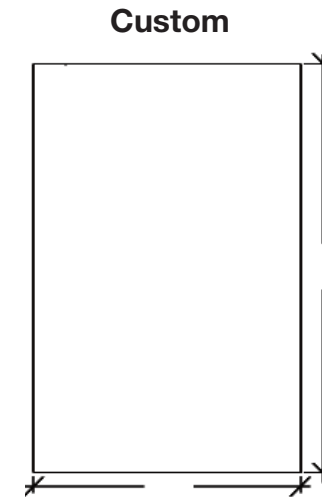
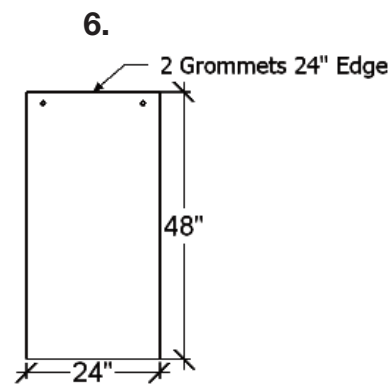
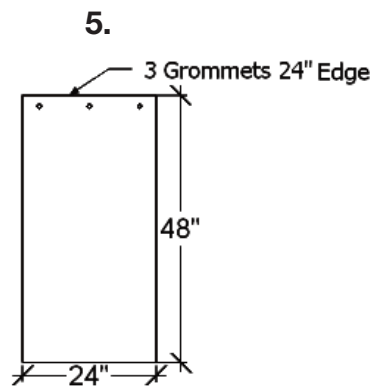
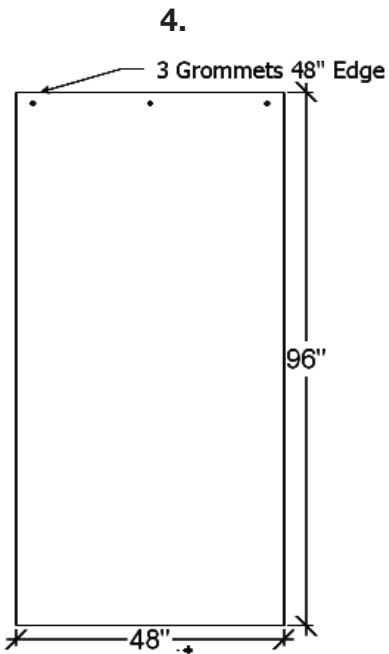
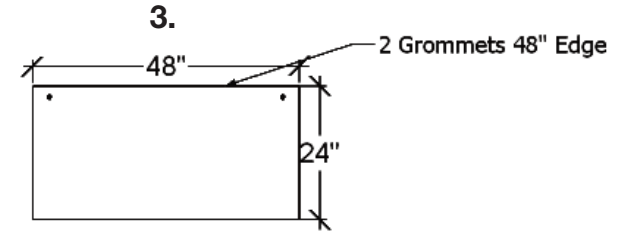
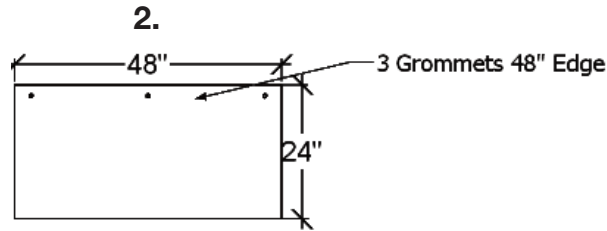
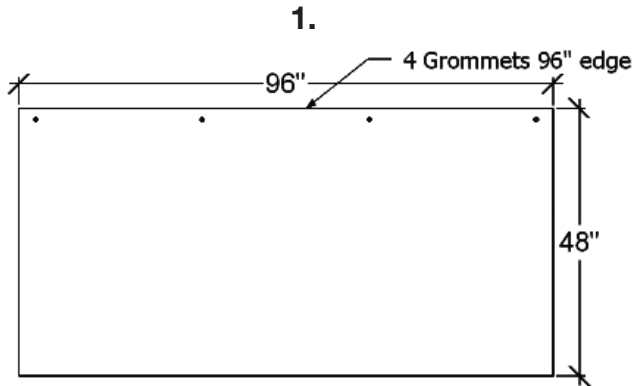




# Acoustical Surfaces, Inc.

**SOUNDPROOFING, ACOUSTICS, NOISE & VIBRATION CONTROL SPECIALISTS**  
 123 Columbia Court North • Suite 201 • Chaska, MN 55318  
 (952) 448-5300 • Fax (952) 448-2613 • (800) 448-0121  
 Email: [sales@acousticalsurfaces.com](mailto:sales@acousticalsurfaces.com)  
 Visit our Website: [www.acousticalsurfaces.com](http://www.acousticalsurfaces.com)

**We Identify and S.T.O.P. Your Noise Problems**



Option#: \_\_\_\_\_

Please Circle Grommet Color: *Silver/Nickel* or *Gold/Brass*

Signature: \_\_\_\_\_

- Soundproofing Products • Sonex™ Ceiling & Wall Panels • Sound Control Curtains • Equipment Enclosures • Acoustical Baffles & Banners • Solid Wood & Veneer Acoustical Ceiling & Wall Systems
- Professional Audio Acoustics • Vibration & Damping Control • Fire Retardant Acoustics • Hearing Protection • Moisture & Impact Resistant Products • Floor Impact Noise Reduction
- Sound Absorbers • Noise Barriers • Fabric Wrapped Wall Panels • Acoustical Foam (Egg Crate) • Acoustical Sealants & Adhesives • Outdoor Noise Control • Assistive Listening Devices