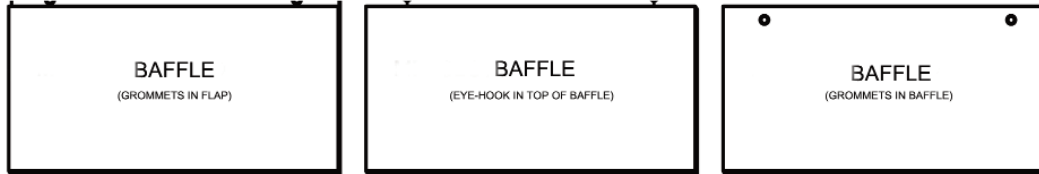




Acoustical Surfaces, Inc.

SOUNDPROOFING, ACOUSTICS, NOISE & VIBRATION CONTROL SPECIALISTS
 123 Columbia Court North • Suite 201 • Chaska, MN 55318
 (952) 448-5300 • Fax (952) 448-2813 • (800) 448-0121
 Email: sales@acousticalsurfaces.com
 Visit our Website: www.acousticalsurfaces.com

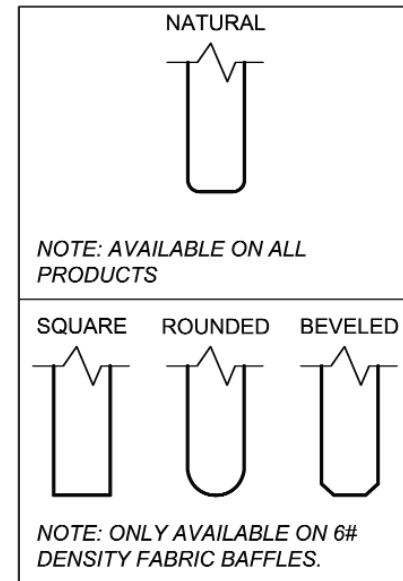
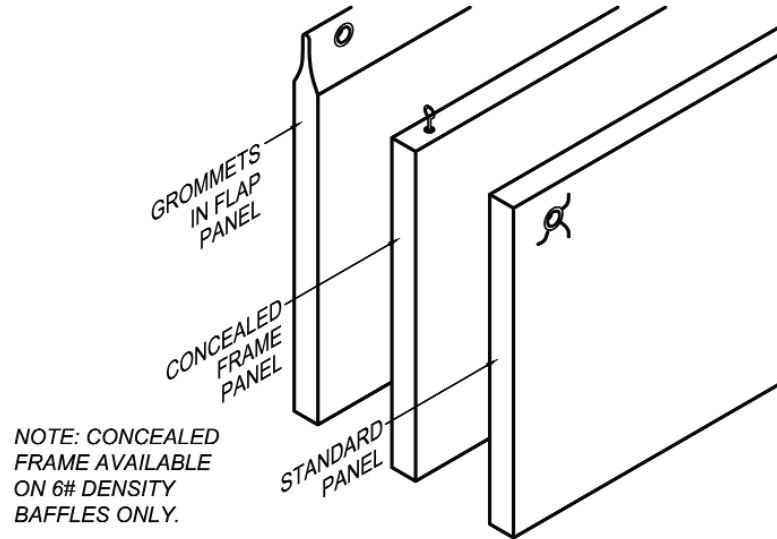
We Identify and S.T.O.P. Your Noise Problems



NOTE: 1" GROMMETS MAY BE EITHER CADMIUM COATED OR NICKEL PLATED.

1 SUSPENSION PROVISION DETAIL

SCALE: NA



2 EDGE CONSTRUCTION DETAIL

SCALE: NA

3 EDGE DETAILS

SCALE: NA

GENERAL NOTES:

- 1) STORE PRODUCTS IN A COOL, DRY, AND TEMPERATURE CONTROLLED INTERIOR LOCATION NOT LESS THAN 50°F PRIOR TO, DURING, AND AFTER INSTALLATION.
- 2) STORE PRODUCTS OUT OF DIRECT UV SUNLIGHT.
- 3) STORE AND PROTECT PRODUCTS FROM THE ELEMENTS AND FROM DAMAGE.
- 4) SAIL CLOTH IS NOT RECOMMENDED FOR HIGH HUMIDITY OR HIGH U.V. AREAS.
- 5) SUSPENSION HARDWARE IS NOT TO BE PRE-INSTALLED.
- 6) SOME WRINKLING AND PUCKERING, DUE TO THE NATURE OF THESE PRODUCTS, IS COMMON AND UNAVOIDABLE.
- 7) BAFFLES ARE CONSTRUCTED FROM FIBERGLASS WITH A SOFT AND FLEXIBLE CORE. GROMMET LOCATIONS MAY VARY.
- 8) DO NOT SUBJECT ACOUSTICAL PRODUCTS TO CRITICAL EDGE LIGHTING WITHOUT FIRST CONSULTING MANUFACTURER.