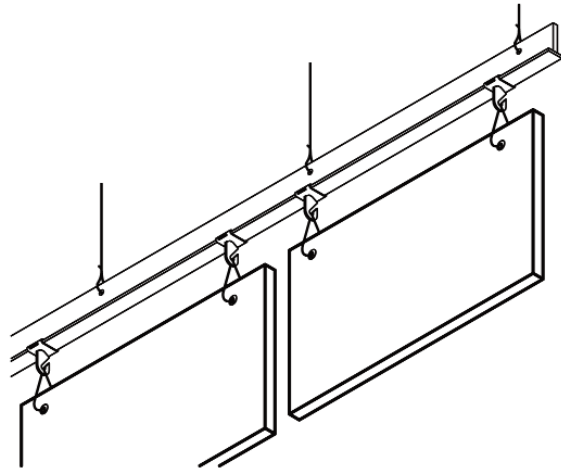




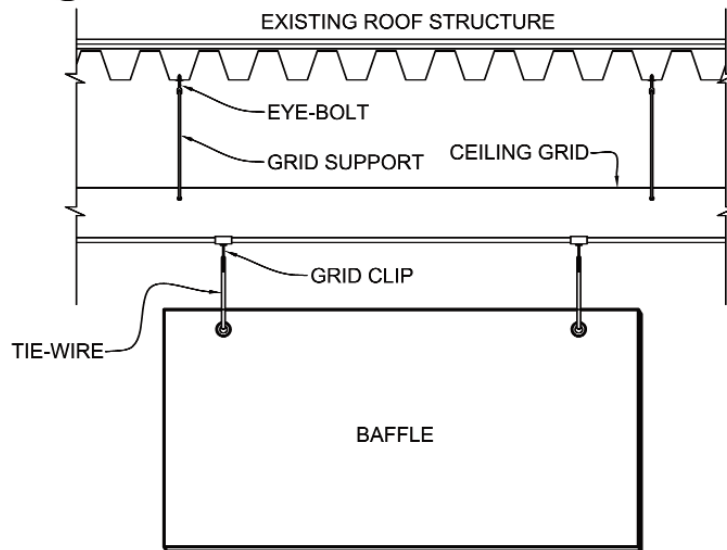
Acoustical Surfaces, Inc.

SOUNDPROOFING, ACOUSTICS, NOISE & VIBRATION CONTROL SPECIALISTS
 123 Columbia Court North • Suite 201 • Chaska, MN 55318
 (952) 448-5300 • Fax (952) 448-2813 • (800) 448-0121
 Email: sales@acousticalsurfaces.com
 Visit our Website: www.acousticalsurfaces.com

We Identify and S.T.O.P. Your Noise Problems



1
 CL-4 CL-4
VIEW FROM BELOW
 SCALE: NA

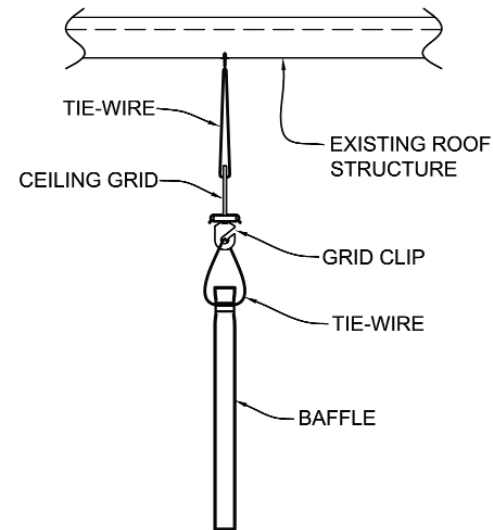


2
 CL-4 CL-4
SIDE ELEVATION
 SCALE: NA

NOTES:

1) USING MBI FIXED OR SWIVEL GRID CLIPS, BAFFLES CAN BE ATTACHED TO CEILING GRID.

2) TIE-WIRE TO BE SNUGGED UP TIGHT SO TO PREVENT SLIPPAGE.



3
 CL-4 CL-4
SIDE ELEVATION
 SCALE: NA