

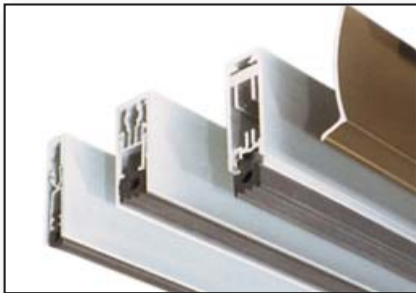


ACOUSTICAL

Sound Solutions for Over 35 Years

SURFACES INC.

Soundproofing | Acoustics | Noise & Vibration Control



ADJUSTABLE DOOR SEALS

Surface Mounted Automatic Doors Seals

- **Reduces Sound Through Door Units**
- **Economical**
- **Easy to Install**
- **Durable**

Kit 1- Standard

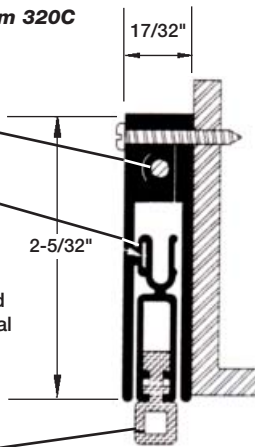
Automatic Door Bottom 320C



Adjusting screw
File Seal
Full case reversible without changing mechanism

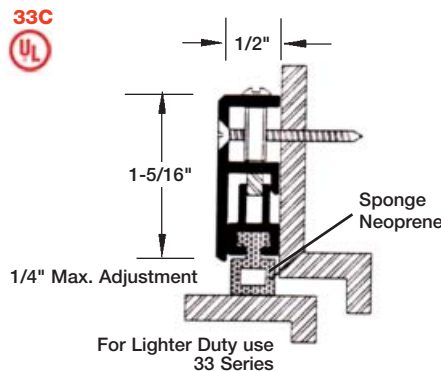
Radiation shielding lead bars available on special order
Minimum size 24"
Maximum size 48"
Maximum drop 3/4"

Sponge Neoprene



Adjustable Jamb Seal 33C

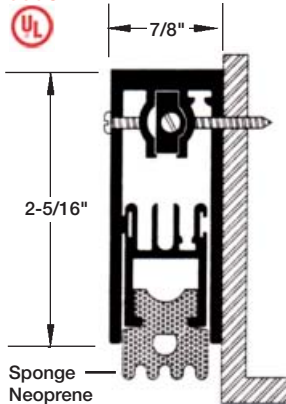
(3 piece set 2 - 7' long & 1 - 3' long)



Kit 2- Heavy Duty

Automatic Door Bottom 330C

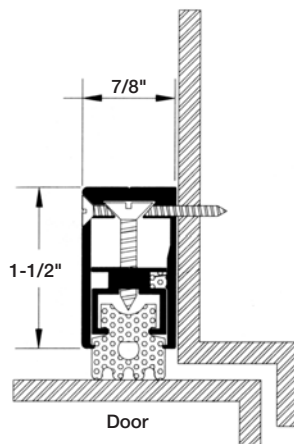
330C



Adjustable Jamb Seal 599C

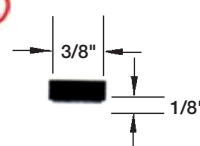
(3 piece set 2 - 7' long & 1 - 3' long)

599C

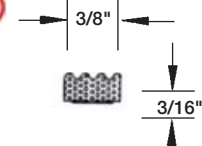


Door Frame Sound Gaskets

631 — 1/8" x 3/8" x 50 ft.



629 — 3/16" x 3/8" x 100 ft. or 300 ft.



Please Note: Door bottoms are not designed to seal directly on carpet. For best results door bottoms should seal on a solid surface. The solid surface should be positioned above the level of the floor covering on either side of the door.

Continued on next page...



Automatic Door Bottom – Anodized Aluminum Color Choices



Clear

Dark Bronze

Gold

Automatic Door Bottom – Acoustical Performance STC in Accordance with ASTM E90-75

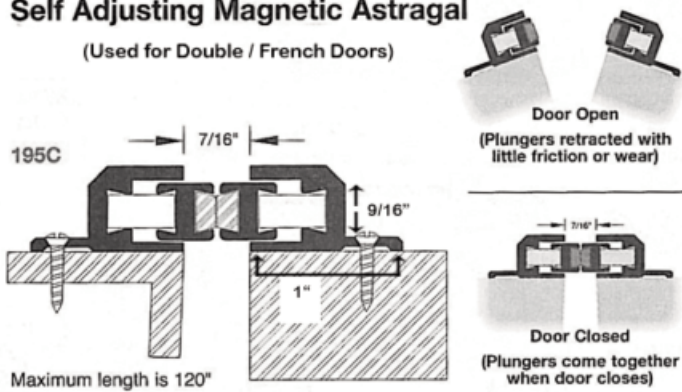
Model	Door Caulked Shut STC	With Door Bottom STC
320C – No Threshold	32	28
330C – No Threshold	44	37
330C – With Threshold	51	43

NOTE: Standard 1-3/4" Solid Core Door
 5 lbs/sf STC – 22 (No Seals), 33 (With Door Seals)
 7 lbs/sf STC – 46



Self Adjusting Magnetic Astragal

(Used for Double / French Doors)



Mortised Door Seal

(Adjustable Hidden Door Seal)

