

Pipe and Duct Wrap/Lag Install

ATTENTION: If you have additional questions after review of this manual please contact your local ASI representative or an ASI professional at our headquarters (952)448-5300

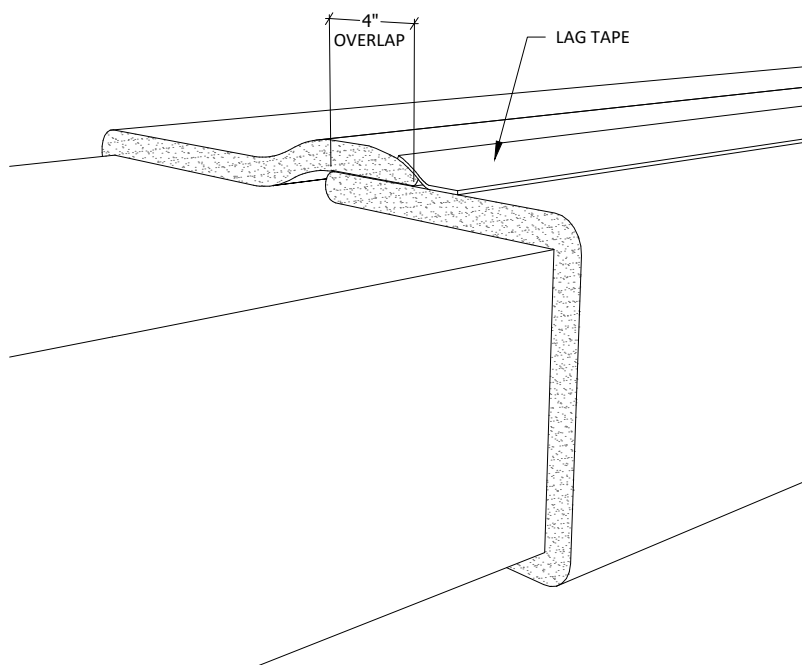
ASI MANUFACTURES SOUNDPROOFING PRODUCTS THAT MUST BE HANDLED WITH CARE. PRODUCTS SHOULD ONLY BE INSTALLED BY EXPERIENCED INSTALLERS.

RECEIVING

Prior to unpacking, check package for any obvious shipping damage. If no evidence of damage is present, move package to a dry/controlled area and inspect it for dents, breakage, or any lesser-noticeable damage that may affect enclosed panels. If damage has been identified, record it/photograph it, and open to inspect for concealed damage. If damage was transferred to the product, document/photograph the issues.

INSTALLATION

Determine the circumference of the duct or pipe to be wrapped. Add minimum of 4" overlap of product onto itself. Note additional length required to accommodate thickness of material. Cut length as required. On large ductwork stick pins or weld pins should be used to support product across bottom of rectangular duct. Install first section of lag on duct (or pipe). For quilted products, it is recommended that product wraps around and butts end to end with the last 4" (+1-) trimmed off so that the barrier only overlaps the starting point of the wrap. Utilize an appropriate adhesive or lag tape to secure the overlap. Cut and install the next section in the same fashion. Each progressive section should overlap the previous section by approximately 2". Tape or glue this seam as well. When covering an elbow the usual method is to "gore" the product (as typical in sheet metal construction). In all cases the important element is to assure there are no gaps or leaks whatsoever.



With round piping up to approximately 48" ϕ and rectangular ductwork up to 36" wide, it is easiest, after determining the appropriate length, to drape the cut piece over the pipe or ductwork with equal parts of the product hanging over each side. One side is then brought up and taped to the pipe or duct. The other side is then brought up, making sure to overlap, and then taped to the other end. This method allows for circumferential seams every four feet, and a single seam running along the bottom of the pipe or duct. For pipe or duct over the above stated size it may be necessary to cut the piece in half, making it more manageable. This method allows for a half-piece to be taped at the 12 o'clock location on the pipe. The other piece is then taped at the same location, hanging down the opposite side.

For products designed to be suitable weatherproof outer shells, it is recommended that while taping the joints is still necessary for a good acoustic seal, mechanical fasteners such as stainless steel banding be used. While not necessary in normal climates, if harsh or severe environmental conditions are anticipated a thin aluminum sheathing can be applied over the wrap.

NOISE S.T.O.P. LAG-SERIES FLEXIBLE NOISE BARRIERS INSTALLATION INSTRUCTIONS

SHEET NUMBER

1

SCALE: AS NOTED

LAST REVISED: 4/13/2020

DRAWN BY: BH

DO NOT SCALE DRAWING. FIGURED DIMENSIONS ARE TO BE FOLLOWED. READ THIS DRAWING IN CONNECTION WITH GENERAL ARCHITECTURAL PLANS, STRUCTURAL PLANS, AND OTHER RELATED DRAWINGS. THESE DRAWINGS REPRESENT ASI'S UNDERSTANDING AND INTERPRETATION OF THE ARCHITECTURAL DRAWINGS AND HOW ASI PRODUCTS RELATE TO THE PROJECT. COPYRIGHT ASI © 2020

ASI

123 Columbia Court North, Chaska,
Minnesota 55318 P. 800.527.6253