

DIFFUSOR PANEL INSTALLATION INSTRUCTIONS

ATTENTION: If you have additional questions after review of this manual please contact your local ASI representative or an ASI professional at our headquarters (952)448-5300

ASI MANUFACTURES DECORATIVE ACOUSTICAL PANELS AND PRODUCTS THAT MUST BE HANDLED WITH CARE. PRODUCTS SHOULD ONLY BE INSTALLED BY EXPERIENCED INSTALLERS.

RECEIVING

Prior to unpacking, check package for any obvious shipping damage. If no evidence of damage is present, move package to a dry/controlled area and inspect it for dents, breakage, or any lesser-noticeable damage that may affect enclosed panels. If damage has been identified, record it/photograph it, and open to inspect for concealed damage. If damage was transferred to the product, document/photograph the issues.

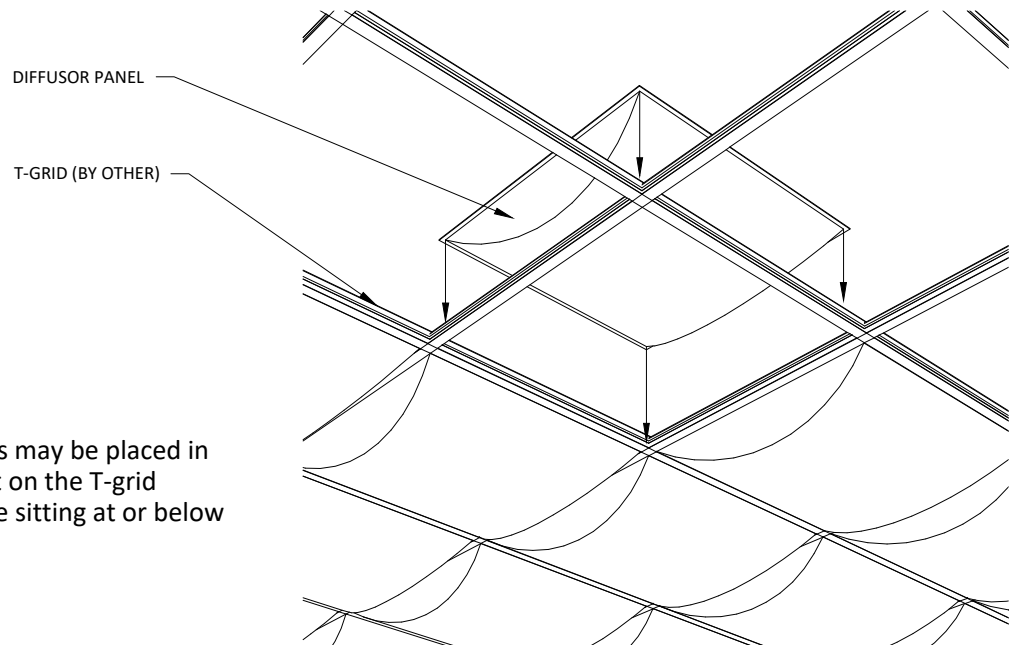
SPECIAL HANDLING INSTRUCTIONS

When handling product, care must be taken to not damage face of the panel. Handle all edges with care. To avoid damage, do not twist or bow the panels during installation.

INSTALLATION

ASI recommends painting the walls or ceilings black at the perimeter to help conceal the expansion joints at the edges of the wall or ceiling system.

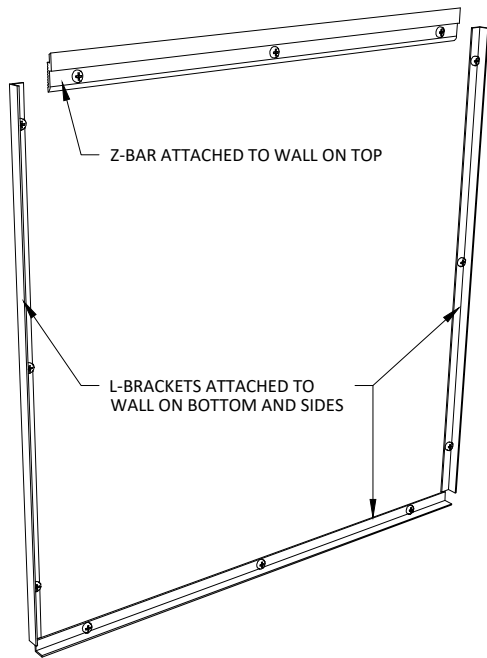
CEILING INSTALLATION



Once grid is laid out, panels may be placed in grid such that the edges sit on the T-grid flanges, with the panel face sitting at or below the grid plane.

DIFFUSOR PANEL INSTALLATION INSTRUCTIONS

Z-CLIP INSTALLATION



For wall installation - Z-bar and L-brackets are to be used. To prepare the wall for the Diffusor Panel, attach L-brackets to the wall such that the flanges will touch the inside wall of the diffusor on the bottom and sides (see left image). The top side will need a Z-bar placed at a height such that the L-bracket riveted the top of the Diffusor Panel, will slide into the clip and be suspended from the wall.

Site conditions may vary, so be sure to use the appropriate mounting method for all hardware: use drywall anchors and screws for drywall, use concrete anchors and screws for concrete, etc.

Once L-brackets and Z-bar are fastened to wall, bring the Diffusor Panel to the wall with the riveted side at the top, and slide the panel onto the Z-bar such that the Z-bar accepts the riveted L-brackets and the panel is hanging freely from the Z-bar (see "Top Section View" at right). To ensure the panel is tight to the wall, gently hold the panel tight to the wall and screw the bottom and sides of the panel to the L-brackets on the wall that now run along the inside edges of the bottom and sides of the panel (see "Bottom and Sides Section View" at right).

