



Acoustical Surfaces, Inc.

123 Columbia Court North, Suite 201
Chaska, MN 55318
Tel: (952)-448-5300
Fax: (952)-448-2813
1-(800)-854-2918
www.acousticalsurfaces.com
sales@acousticalsurfaces.com

File No.
81B.DWG

Issue Date
5/25/2010

Revised

Drawn By
MTH

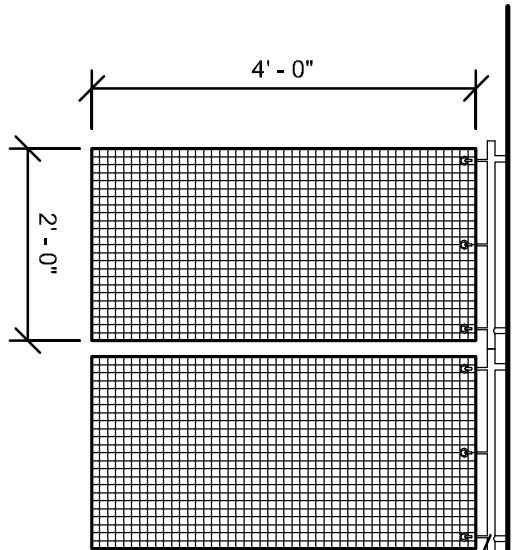
Checked By

PROJECT

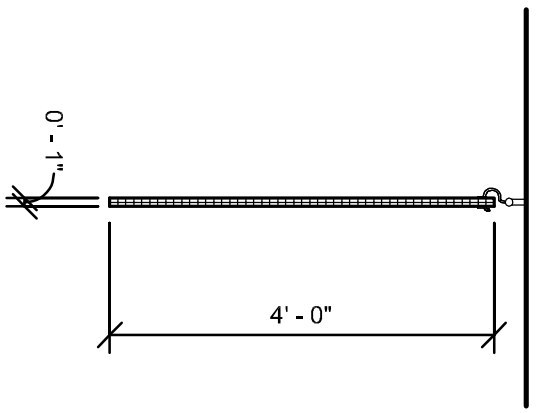
DRAWING TITLE
8LB CEILING
BAFFLE

DRAWING NO.

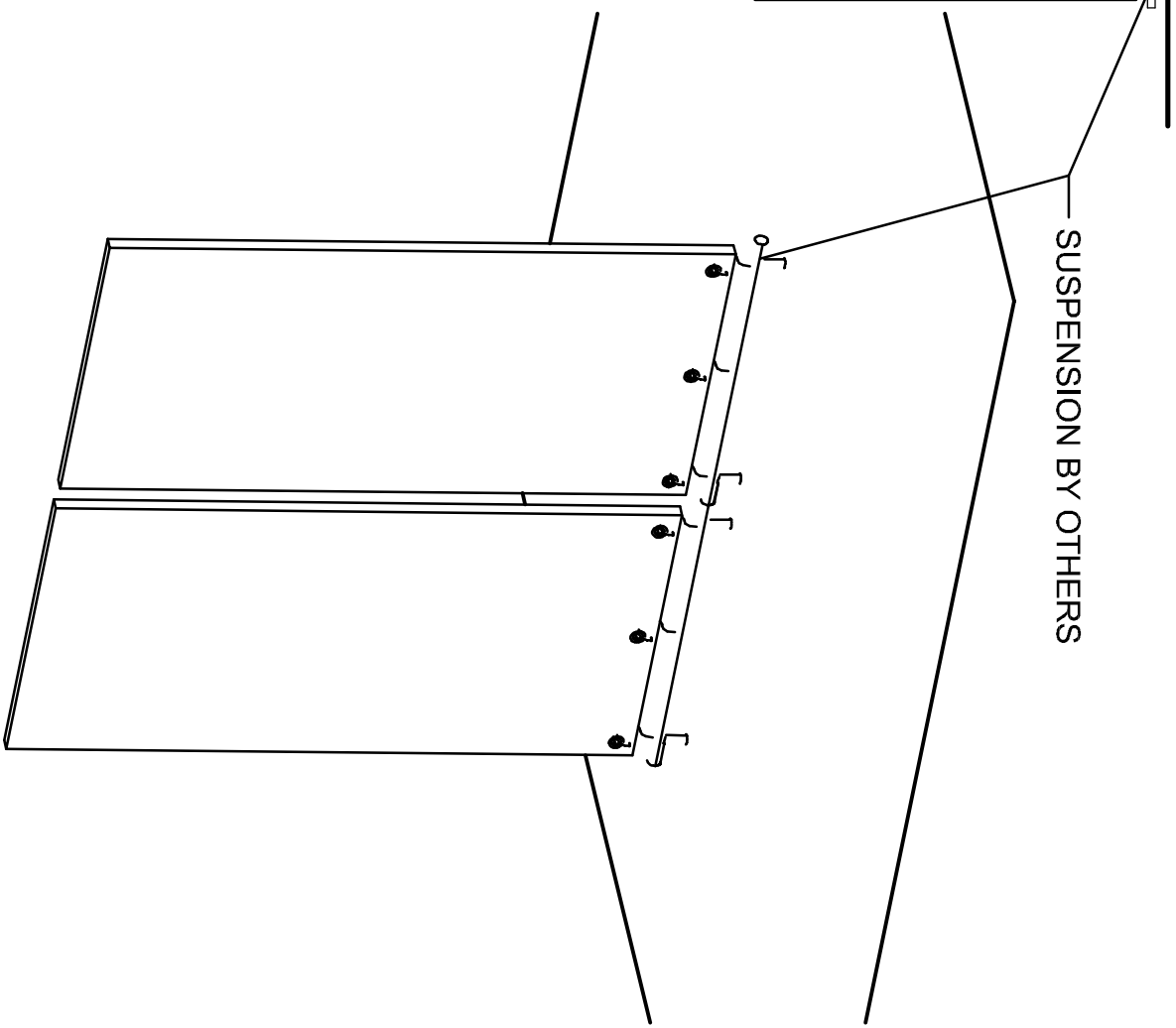
AS1.0



1 FRONT ELEVATION
1/2"=1'-0"



2 SIDE ELEVATION
1/2"=1'-0"



3 PERSPECTIVE
N.T.S.