



# Acoustical Surfaces, Inc.

**SOUNDPROOFING, ACOUSTICS, NOISE & VIBRATION CONTROL SPECIALISTS**

123 Columbia Court North • Suite 201 • Chaska, MN 55318

(952) 448-5300 • Fax (952) 448-2613 • (800) 448-0121

Email: [sales@acousticalsurfaces.com](mailto:sales@acousticalsurfaces.com)

Visit our Website: [www.acousticalsurfaces.com](http://www.acousticalsurfaces.com)

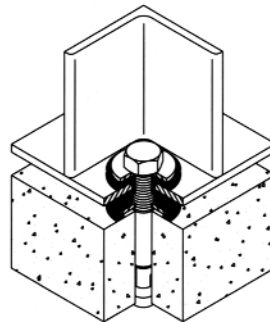
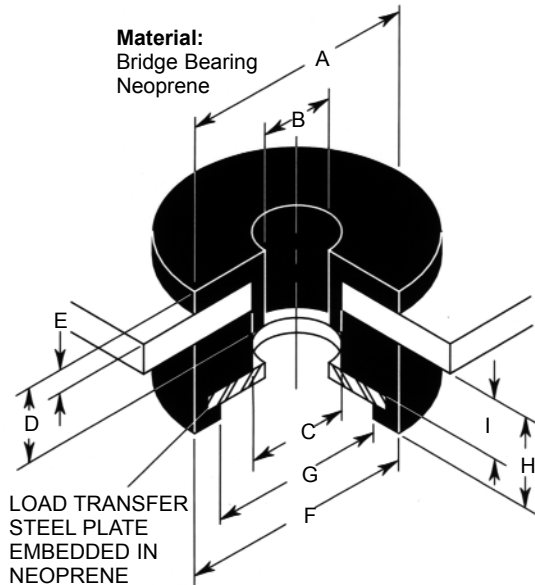
**We Identify and S.T.O.P. Your Noise Problem**

## HMIB Hanger Mount Isolation Bushing

The HMIB Mount can be used to break the path of vibration. It's an inexpensive way of providing some relief from the noise of a wall fan, a kitchen exhaust fan or a fan assisted strip heater.

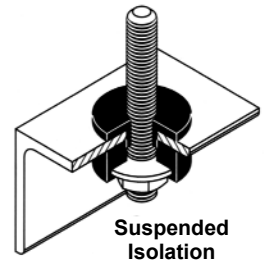
### HMIB BUSHING DIMENSIONS (inches)

| Size     | A     | B   | C   | D   | E    | F     | G     | H   | I   | Rated Load (lbs) | Rated Defl (in) |
|----------|-------|-----|-----|-----|------|-------|-------|-----|-----|------------------|-----------------|
| HMIB-1/4 | 1     | 1/4 | 1/2 | 3/8 | 1/8  | 1 1/2 | 1     | 1/2 | 3/8 | 60               | .075            |
| HMIB-3/8 | 1 1/4 | 3/8 | 5/8 | 1/2 | 1/8  | 1 3/4 | 1 1/4 | 5/8 | 1/2 | 70               | .095            |
| HMIB-1/2 | 1 5/8 | 1/2 | 3/4 | 1/2 | 1/8  | 1 3/4 | 1 1/4 | 5/8 | 1/2 | 100              | .095            |
| HMIB-5/8 | 2     | 5/8 | 7/8 | 5/8 | 3/16 | 2     | 1 1/2 | 3/4 | 1/2 | 120              | .110            |



Floor Mounted Isolation

Used for Suspended or Floor Mounted Equipment



Suspended Isolation