



# Acoustical Surfaces, Inc.

**SOUNDPROOFING, ACOUSTICS, NOISE & VIBRATION CONTROL SPECIALISTS**

123 Columbia Court North • Suite 201 • Chaska, MN 55318

(952) 448-5300 • Fax (952) 448-2613 • (800) 448-0121

Email: [sales@acousticalsurfaces.com](mailto:sales@acousticalsurfaces.com)

Visit our Website: [www.acousticalsurfaces.com](http://www.acousticalsurfaces.com)

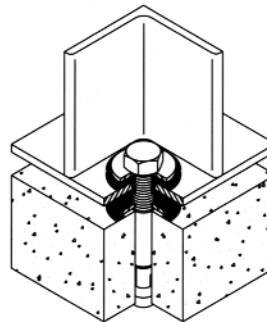
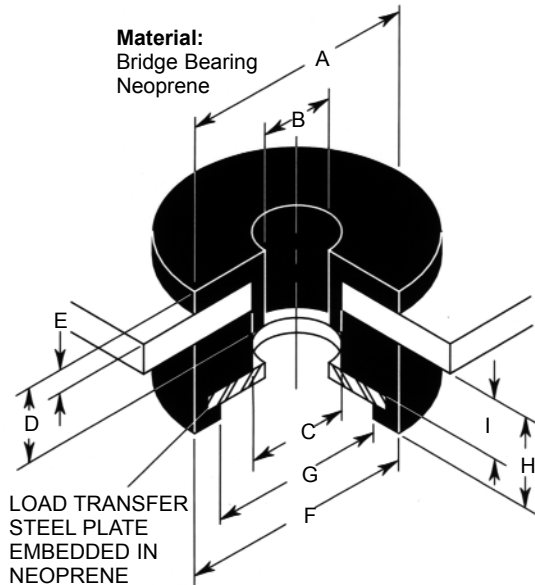
**We Identify and S.T.O.P. Your Noise Problem**

## HMIB Hanger Mount Isolation Bushing

The HMIB Mount can be used to break the path of vibration. It's an inexpensive way of providing some relief from the noise of a wall fan, a kitchen exhaust fan or a fan assisted strip heater.

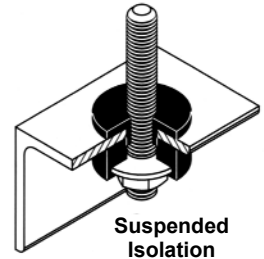
### HMIB BUSHING DIMENSIONS (inches)

Size	A	B	C	D	E	F	G	H	I	Rated Load (lbs)	Rated Defl (in)
HMIB-1/4	1	1/4	1/2	3/8	1/8	1 1/2	1	1/2	3/8	60	.075
HMIB-3/8	1 1/4	3/8	5/8	1/2	1/8	1 3/4	1 1/4	5/8	1/2	70	.095
HMIB-1/2	1 5/8	1/2	3/4	1/2	1/8	1 3/4	1 1/4	5/8	1/2	100	.095
HMIB-5/8	2	5/8	7/8	5/8	3/16	2	1 1/2	3/4	1/2	120	.110



Floor Mounted Isolation

Used for Suspended or Floor Mounted Equipment



Suspended Isolation