



# Acoustical Surfaces, Inc.

**SOUNDPROOFING, ACOUSTICS, NOISE & VIBRATION CONTROL SPECIALISTS**

123 Columbia Court North • Suite 201 • Chaska, MN 55318

(952) 448-5300 • Fax (952) 448-2613 • (800) 448-0121

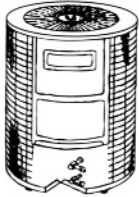
Email: [sales@acousticalsurfaces.com](mailto:sales@acousticalsurfaces.com)

Visit our Website: [www.acousticalsurfaces.com](http://www.acousticalsurfaces.com)

**We Identify and S.T.O.P. Your Noise Problem**

## R & RL Neoprene Machine Leveling Mounts

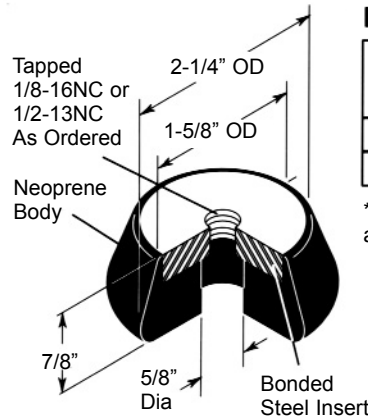
A handy leveling mount for small high speed equipment. Mounts can be used without leveling bolts (R) or with (RL). Furnished with 3/8-16 or 1/2-13 tapped holes (A) or studs (RL) to accommodate large or small holes in the machinery leg. Neoprene resists oil, oxygen and ozone. The upper steel insert provides uniform mounting loading. Neoprene friction base also keeps equipment in place.



Type R



Type RL



### R & RL LEVELING MOUNTS\*

Type & Size	Max Load (lbs)	Color Code	Tapped Hole or Stud
R-4 or RL-4	150	Green	3/8-16
R-5 or RL-5	150	Green	1/2-13

\*Other capacities available.

