



# Acoustical Surfaces, Inc.

**SOUNDPROOFING, ACOUSTICS, NOISE & VIBRATION CONTROL SPECIALISTS**

123 Columbia Court North • Suite 201 • Chaska, MN 55318

(952) 448-5300 • Fax (952) 448-2613 • (800) 448-0121

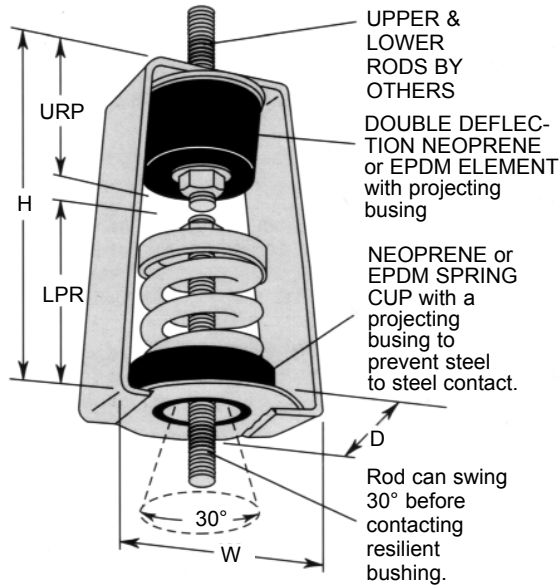
Email: [sales@acousticalsurfaces.com](mailto:sales@acousticalsurfaces.com)

Visit our Website: [www.acousticalsurfaces.com](http://www.acousticalsurfaces.com)

**We Identify and S.T.O.P. Your Noise Problem**

## 30N 30° Swing Hangers

with Double Deflection Neoprene Element



**Type 30N Spring Hangers** feature a lower rod that can swing up to 30° for ease in installation to compensate for misalignment. Spring and neoprene element in conjunction remove high and low frequency noise.

### 30N 1" DEFL. SPRING HANGERS\*

LRP-Lower Rod Penetration  
URP-Upper Rod Penetration

Type & Size	Rated Capacity (lbs)	Rated Defl (in)	Mount Constant (lbs/in)	Spring Color/Stripe	Dimensions (inches)					
					D	H	W	LRP	MRD	URP
30N-X-23	23	1.50	18	Brown						
30N-X-33	33	1.30	30	Red						
30N-X-54	54	1.40	45	White						
30N-X-76	76	1.22	73	Black	21/2	51/2	27/8	31/4	3/8	13/4
30N-X-113	113	1.20	113	Yellow						
30N-X-130	130	1.20	130	Purple						
30N-X-175	175	1.20	175	Silver						
30N-X-210	210	1.20	210	Blue						
30N-A-12	12	1.35	12	Red	23/4	63/4	31/4	31/4	5/8	21/4
30N-A-18	18	1.35	18	Gray						
30N-A-25	25	1.35	25	Orange						
30N-A-41	41	1.53	35	Pink	23/4	63/4	31/4	35/8	5/8	21/4
30N-A-56	56	1.49	49	Black						
30N-A-73	73	1.41	69	Tan						
30N-A-95	95	1.36	94	Green						
30N-B-138	138	1.67	105	White	4	63/4	43/4	33/4	5/8	23/4
30N-B-222	222	1.51	191	Blue						
30N-B-278	278	1.44	255	Purple						
30N-B-336	336	1.35	336	Silver						
30N-B-410	410	1.42	385	Black						

\*3/4" minimum deflection