



# Acoustical Surfaces, Inc.

**SOUNDPROOFING, ACOUSTICS, NOISE & VIBRATION CONTROL SPECIALISTS**

123 Columbia Court North • Suite 201 • Chaska, MN 55318

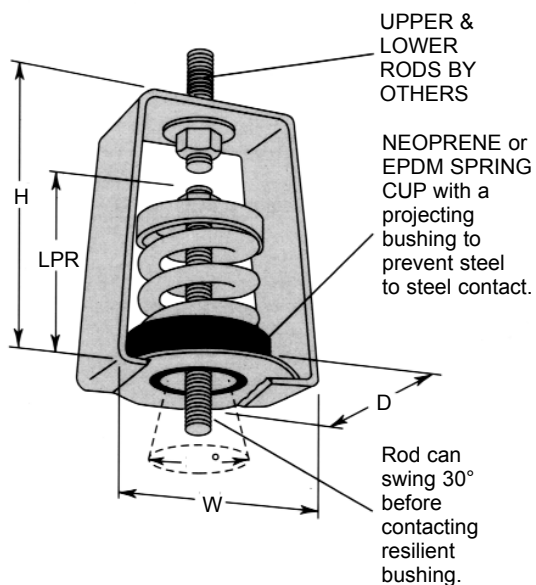
(952) 448-5300 • Fax (952) 448-2613 • (800) 448-0121

Email: [sales@acousticalsurfaces.com](mailto:sales@acousticalsurfaces.com)

Visit our Website: [www.acousticalsurfaces.com](http://www.acousticalsurfaces.com)

**We Identify and S.T.O.P. Your Noise Problem**

## 30 30° Swing Hangers



Type 30 Spring Hangers feature a lower rod that can swing up to 30° for ease in installation to compensate for misalignment.

### 30 1" DEFL. 30° SWING HANGERS\*

LRP-Lower Rod Penetration  
MRD-Maximum Rod Dia.

Type & Size	Rated Capacity (lbs)	Rated Defl (in)	Mount Constant (lbs/in)	Spring Color/Stripe	Dimensions (inches)				
					D	H	W	LRP	MRD
30-X-23	23	1.30	18	Brown	2 1/2	4 1/4	27/8	3 1/2	3/8
30-X-33	33	1.10	30	Red					
30-X-54	54	1.20	45	White					
30-X-76	76	1.02	73	Black					
30-X-113	113	1.00	113	Yellow					
30-X-130	130	1.00	130	Purple					
30-X-175	175	1.00	175	Silver	23/4	53/4	33/4	31/2	5/8
30-X-210	210	1.00	210	Blue					
30-A-12	12	1.00	12	Red					
30-A-18	18	1.00	18	Gray	23/4	53/4	33/4	31/2	5/8
30-A-25	25	1.00	25	Orange					
30-A-41	41	1.18	35	Pink					
30-A-56	56	1.14	49	Black	23/4	53/4	33/4	4	5/8
30-A-73	73	1.06	69	Tan					
30-A-95	95	1.01	94	Green					
30-B-138	138	1.32	105	White	4	7 1/4	43/4	41/4	5/8
30-B-222	222	1.16	191	Blue					
30-B-278	278	1.09	255	Purple					
30-B-336	336	1.00	336	Silver					
30-B-410	410	1.07	385	Black					

\*3/4" minimum deflection