



Acoustical Surfaces, Inc.

SOUNDPROOFING, ACOUSTICS, NOISE & VIBRATION CONTROL SPECIALISTS

123 Columbia Court North • Suite 201 • Chaska, MN 55318

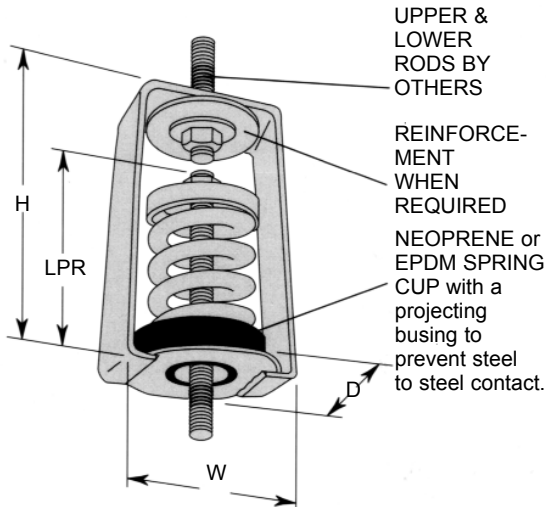
(952) 448-5300 • Fax (952) 448-2613 • (800) 448-0121

Email: sales@acousticalsurfaces.com

Visit our Website: www.acousticalsurfaces.com

We Identify and S.T.O.P. Your Noise Problem

HS Spring Hangers



HS 1" DEFL. SPRING HANGERS*

LRP-Lower Rod Penetration
MRD-Maximum Rod Dia.

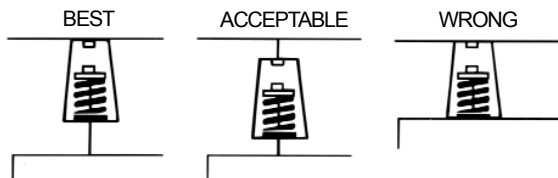
Type & Size	Rated Capacity (lbs)	Rated Defl (in)	Mount Constant (lbs/in)	Spring Color/Stripe	Dimensions (inches)				
					D	H	W	LRP	MRD
HS-X-23	23	1.30	18	Brown					
HS-X-33	33	1.10	30	Red					
HS-X-54	54	1.20	45	White					
HS-X-76	76	1.02	73	Black	21/2	41/4	27/8	31/2	3/8
HS-X-113	113	1.00	113	Yellow					
HS-X-130	130	1.00	130	Purple					
HS-X-175	175	1.00	175	Silver					
HS-X-210	210	1.00	210	Blue					
HS-A-12	12	1.00	12	Red					
HS-A-18	18	1.00	18	Gray	23/4	53/4	33/4	31/2	5/8
HS-A-25	25	1.00	25	Orange					
HS-A-41	41	1.18	35	Pink					
HS-A-56	56	1.14	49	Black	23/4	53/4	33/4	4	5/8
HS-A-73	73	1.06	69	Tan					
HS-A-95	95	1.01	94	Green					
HS-A-45	45	1.60	28	Blue					
HS-A-75	75	1.50	50	Orange					
HS-A-125	125	1.33	94	Brown	23/4	53/4	33/4	4	5/8
HS-A-200	200	1.15	174	Black					
HS-A-310	310	1.00	310	Yellow					
HS-A-400	400	1.00	400	Green					
HS-A-510	510	1.00	510	Red	23/4	53/4	33/4	4	5/8
HS-A-625	625	1.00	625	White					

*3/4" minimum deflection

HD HANGER INSTALLATION:

Install hangers with gap on underside as shown. This allows the isolators to operate efficiently. The gaps also compensate for minor misalignment.

Direct contact of the unit and hanger box "short circuits" the isolation.



HS 2" DEFL. SPRING HANGERS*

LRP-Lower Rod Penetration
MRD-Maximum Rod Dia.

Type & Size	Rated Capacity (lbs)	Rated Defl (in)	Mount Constant (lbs/in)	Spring Color/Stripe	Dimensions (inches)				
					D	H	W	LRP	MRD
HS-B-20	20	2.40	8	Tan					
HS-B-26	26	2.18	12	White/Blue					
HS-B-35	35	2.20	16	Purple					
HS-B-50	50	2.20	24	White/Red	4	71/4	43/4	51/8	3/4
HS-B-65	65	2.10	31	Brown					
HS-B-85	85	2.10	40	White/Black					
HS-B-115	115	2.00	57	Silver					
HS-B-150	150	2.00	75	Orange					
HS-B2-210	210	2.12	99	Silver					
HS-B2-290	290	2.00	144	Blue	4	71/4	43/4	51/8	3/4
HS-B2-450	450	2.00	224	Tan					

*1 1/2" minimum deflection