



# Acoustical Surfaces, Inc.

**SOUNDPROOFING, ACOUSTICS, NOISE & VIBRATION CONTROL SPECIALISTS**

123 Columbia Court North • Suite 201 • Chaska, MN 55318

(952) 448-5300 • Fax (952) 448-2613 • (800) 448-0121

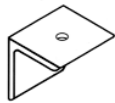
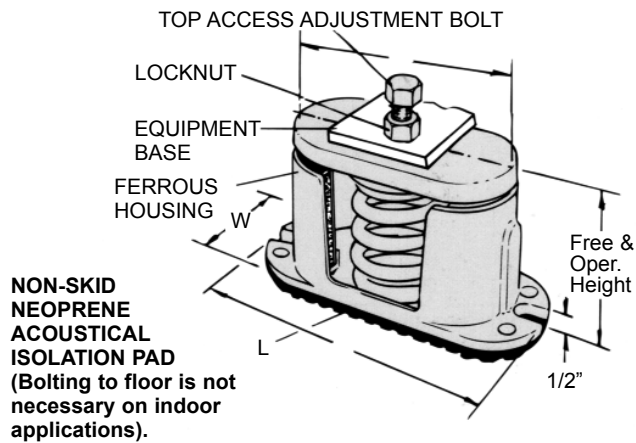
Email: [sales@acousticalsurfaces.com](mailto:sales@acousticalsurfaces.com)

Visit our Website: [www.acousticalsurfaces.com](http://www.acousticalsurfaces.com)

**We Identify and S.T.O.P. Your Noise Problem**

## C, CIP & CIW Housed Spring Mounts

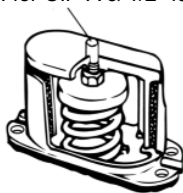
### C – Housed Spring Mounts



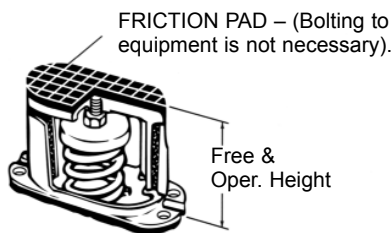
**Height Saving Bracket –**  
Use when equipment cannot be raised to mount's free & operating height.

### CIP – House Spring Mounts with Internal Adjustment

Dowell Pin is 3/8" dia. for CIP-A & 1/2" for B & B2



### CIW – House Spring Mounts with Internal Adjustment and W Pad



**C Housed Spring Mounts** may be used on outdoor applications. They have lateral stability and are recommended for moderate horizontal wind loads without seismic restraint requirements.

#### C 1" DEFL. SPRING MOUNTS\*

Type & Size	Rated Capacity (lbs)	Rated Defl (in)	Mount Constant (lbs/in)	Spring Color/Stripe	Dimensions (inches)			Free & Op.Ht. (in)
					A	L	W	
C-A-45	45	1.60	28	Blue	4	53/4	21/8	41/2
C-A-75	75	1.50	50	Orange				
C-A-125	125	1.33	94	Brown				
C-A-200	200	1.15	174	Black				
C-A-310	310	1.00	310	Yellow				
C-A-400	400	1.00	400	Green				
C-A-510	510	1.00	510	Red	4	53/4	21/8	41/2
C-A-625	625	1.00	625	White				

\*3/4" minimum deflection

"C" one inch minimum deflection spring mounts provide greater vibration control than the lower deflection neoprene mounts. They function the same as SLF mounts but have semi-circular neoprene sponge inserts that limit movement due to start and stop and horizontal wind load. These inserts prevent contact between the projections of the upper and lower semi-circular casting. C spring mounts are recommended for all air-conditioning applications, under compressors, air handling units, centrifugal fans and most other constant frequency vibration problems.

#### C 2" DEFL. SPRING MOUNTS\*

Type & Size	Rated Capacity (lbs)	Rated Defl (in)	Mount Constant (lbs/in)	Spring Color/Stripe	Dimensions (inches)			Free & Op.Ht. (in)				
					A	L	W					
C-B-20	20	2.40	8	Tan	53/4	81/4	23/4	53/4				
C-B-26	26	2.18	12	White/Blue								
C-B-35	35	2.20	16	Purple								
C-B-50	50	2.20	24	White/Red								
C-B-65	65	2.10	31	Brown								
C-B-85	85	2.10	40	White/Black								
C-B-115	115	2.00	57	Silver								
C-B-150	150	2.00	75	Orange								
C-B2-210	210	2.12	99	Silver					53/4	81/4	23/4	53/4
C-B2-290	290	2.00	144	Blue								
C-B2-450	450	2.00	224	Tan								

\*1 1/2" minimum deflection

"C" two inch deflection spring mounts are for use on equipment located on wide upper level building spans and roofs where more than one inch of deflection is needed to cancel the effect of the building spans deflection.

Continued on next page.

- Soundproofing Products • Sonex™ Ceiling & Wall Panels • Sound Control Curtains • Equipment Enclosures • Acoustical Baffles & Banners • Solid Wood & Veneer Acoustical Ceiling & Wall Systems
- Professional Audio Acoustics • Vibration & Damping Control • Fire Retardant Acoustics • Hearing Protection • Moisture & Impact Resistant Products • Floor Impact Noise Reduction
- Sound Absorbers • Noise Barriers • Fabric Wrapped Wall Panels • Acoustical Foam (Egg Crate) • Acoustical Sealants & Adhesives • Outdoor Noise Control • Assistive Listening Devices
- OSHA, FDA, ADA Compliance • On-Site Acoustical Analysis • Acoustical Design & Consulting • Large Inventory • Fast Shipment • No Project too Large or Small • Major Credit Cards Accepted



# Acoustical Surfaces, Inc.

**SOUNDPROOFING, ACOUSTICS, NOISE & VIBRATION CONTROL SPECIALISTS**

123 Columbia Court North • Suite 201 • Chaska, MN 55318

(952) 448-5300 • Fax (952) 448-2613 • (800) 448-0121

Email: [sales@acousticalsurfaces.com](mailto:sales@acousticalsurfaces.com)

Visit our Website: [www.acousticalsurfaces.com](http://www.acousticalsurfaces.com)

---

---

**We Identify and S.T.O.P. Your Noise Problem**

## INSTALLATION:

Supporting surfaces must be flat and level under mounts. Relative elevations must be held to 1/2" from the highest to the lowest position. Grout or provide full spacers to compensate for larger differences.

1. equipment is mounted directly to Type "C" Mounts, place mountings under equipment bolt holes and install the mounting adjustment bolts as shown.
- 1A. When equipment is installed directly to Type "CI", "CIP" or "CIW" Mounts, place mounting under the equipment holes or in the proper position.
- 1B. When mounts are installed under steel base mounting brackets, block the base at the proper elevation as shown on the drawing before installing mounts.
2. Take 2 complete downward (clockwise) turns on adjustment bolt or internal adjustment nut of all mounts. Repeat this procedure as many times as necessary until clearance "A" is a minimum of 1/4" for direct mounting or equipment lifts off blocks.
3. Level equipment by taking additional turns on low side or corner
4. On Type "C" Mounts, Tighten lock nut against equipment base.

All springs have additional travel to solid equal to 50% of the rated deflection except C-B2-450, which has minimum 38% at rated capacity.

