



# Acoustical Surfaces, Inc.

**SOUNDPROOFING, ACOUSTICS, NOISE & VIBRATION CONTROL SPECIALISTS**

123 Columbia Court North • Suite 201 • Chaska, MN 55318

(952) 448-5300 • Fax (952) 448-2613 • (800) 448-0121

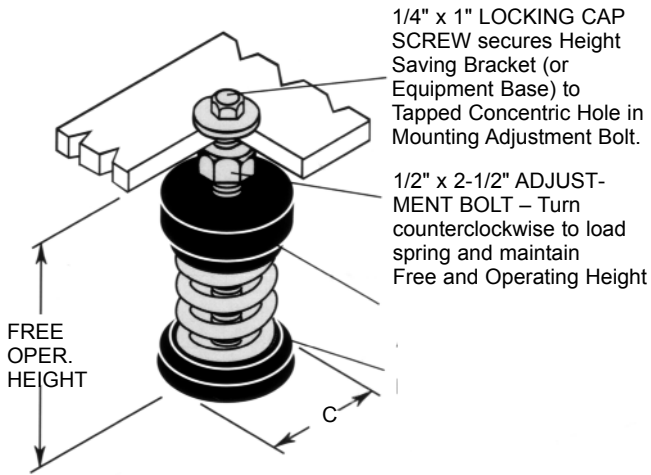
Email: [sales@acousticalsurfaces.com](mailto:sales@acousticalsurfaces.com)

Visit our Website: [www.acousticalsurfaces.com](http://www.acousticalsurfaces.com)

**We Identify and S.T.O.P. Your Noise Problem**

## SLF & SLFH Unhoused Spring Mounts

### SLF – Unhoused Spring Mounts



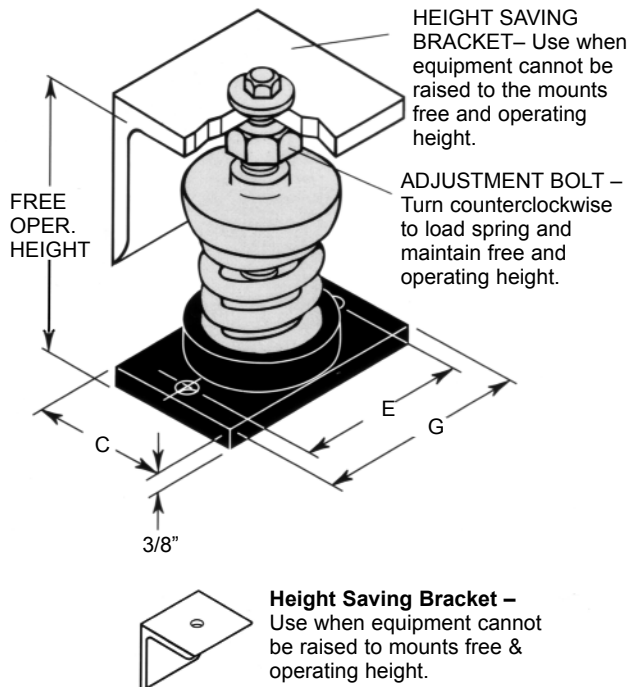
SLF & SLFH Unhoused Spring Mounts provide the greatest deflection- up to 2" to ensure excellent isolation. They are used to support equipment located on upper building levels where there are wide vibration sensitive spans. For outdoor applications where wind loads may affect lateral stability, see "C" housed spring mounts.

#### SLF 1" DEFL. UNHOUSED SPRING MOUNTS\*

Type & Size	Rated Capacity (lbs)	Rated Defl (in)	Mount Constant (lbs/in)	Spring Color/Stripe	Dimensions (inches) C	Free & Oper. (in)
SLF-X-23	23	1.30	18	Brown		
SLF-X-33	33	1.10	30	Red		
SLF-X-54	54	1.20	45	White		
SLF-X-76	76	1.02	73	Black		
SLF-X-113	113	1.00	113	Yellow	2	33/4
SLF-X-130	130	1.00	130	Purple		
SLF-X-175	175	1.00	175	Silver		
SLF-X-210	210	1.00	210	Blue		

\*3/4" minimum deflection

### SLFH – Unhoused Spring Mounts



#### SLFH 1" DEFL. UNHOUSED SPRING MOUNTS\*

Type & Size	Rated Capacity (lbs)	Rated Defl (in)	Mount Constant (lbs/in)	Spring Color/Stripe	Dimensions (inches)			Free & Oper. (in)
					C	E	G	
SLFH-A-45	45	1.60	28	Blue				
SLFH-A-75	75	1.50	50	Orange				
SLFH-A-125	125	1.33	94	Brown	2 1/4	3	35/8	41/4
SLFH-A-200	200	1.15	174	Black				
SLFH-A-310	310	1.00	310	Yellow				
SLFH-A-400	400	1.00	400	Green				
SLFH-A-510	510	1.00	510	Red	2 1/4	3	35/8	45/8
SLFH-A-625	625	1.00	625	White				

\*3/4" minimum deflection

SLFH one inch deflection spring mounts provide far greater vibration control than the lower deflection neoprene mounts. Each Powder coated steel spring is in series with neoprene, providing excellent isolation efficiency. The spring serves to isolate a broad range of disturbing vibration frequencies, while the rubber is a high frequency or noise break. Start and stop as well as horizontal wind force will require the use of C, SLR or SLFH Type mounts that have built-in horizontal limits.

Continued on next page.

- Soundproofing Products • Sonex™ Ceiling & Wall Panels • Sound Control Curtains • Equipment Enclosures • Acoustical Baffles & Banners • Solid Wood & Veneer Acoustical Ceiling & Wall Systems
- Professional Audio Acoustics • Vibration & Damping Control • Fire Retardant Acoustics • Hearing Protection • Moisture & Impact Resistant Products • Floor Impact Noise Reduction
- Sound Absorbers • Noise Barriers • Fabric Wrapped Wall Panels • Acoustical Foam (Egg Crate) • Acoustical Sealants & Adhesives • Outdoor Noise Control • Assistive Listening Devices
- OSHA, FDA, ADA Compliance • On-Site Acoustical Analysis • Acoustical Design & Consulting • Large Inventory • Fast Shipment • No Project too Large or Small • Major Credit Cards Accepted



# Acoustical Surfaces, Inc.

**SOUNDPROOFING, ACOUSTICS, NOISE & VIBRATION CONTROL SPECIALISTS**

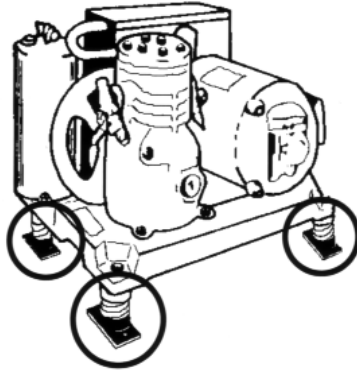
123 Columbia Court North • Suite 201 • Chaska, MN 55318

(952) 448-5300 • Fax (952) 448-2613 • (800) 448-0121

Email: [sales@acousticalsurfaces.com](mailto:sales@acousticalsurfaces.com)

Visit our Website: [www.acousticalsurfaces.com](http://www.acousticalsurfaces.com)

**We Identify and S.T.O.P. Your Noise Problem**



## SLFH 2" DEFL. UNHOUSED SPRING MOUNTS\*

Type & Size	Rated Capacity (lbs)	Rated Defl (in)	Mount Constant (lbs/in)	Spring Color/Stripe	Dimensions (inches)			Free & Oper. (in)
					C	E	G	
SLFH-B-20	20	2.40	8	Tan				
SLFH-B-26	26	2.18	12	White/Blue				
SLFH-B-35	35	2.20	16	Purple				
SLFH-B-50	50	2.20	24	White/Red	23/4	41/4	51/8	6
SLFH-B-65	65	2.10	31	Brown				
SLFH-B-85	85	2.10	40	White/Black				
SLFH-B-115	115	2.00	57	Silver				
SLFH-B-150	150	2.00	75	Orange				
SLFH-B2-210	210	2.12	99	Silver				
SLFH-B2-290	290	2.00	144	Blue	23/4	41/8	51/4	63/4
SLFH-B2-450	450	2.00	224	Tan				

\*1 1/2" minimum deflection

**SLFH two inch deflection spring mounts** are for use on equipment located on upper level wide building spans, where more than one inch of deflection is needed to cancel the effect of the building span's deflection. Two inch deflection springs use the same holders as one inch springs.

### INSTALLATION:

Block up equipment to mounts required free and operating height (see tables), then make connections to the unit. Position mounts under unit. Take two turns on each adjustment bolt working around the unit until springs are compressed just enough to remove blocks. Do not "jack up" equipment significantly during spring adjustment. All springs have additional travel to solid equal to 50% of the rated deflection except SLFH-B2-450, which has 38% at rated capacity.