



Acoustical Surfaces, Inc.

SOUNDPROOFING, ACOUSTICS, NOISE & VIBRATION CONTROL SPECIALISTS

123 Columbia Court North • Suite 201 • Chaska, MN 55318

(952) 448-5300 • Fax (952) 448-2613 • (800) 448-0121

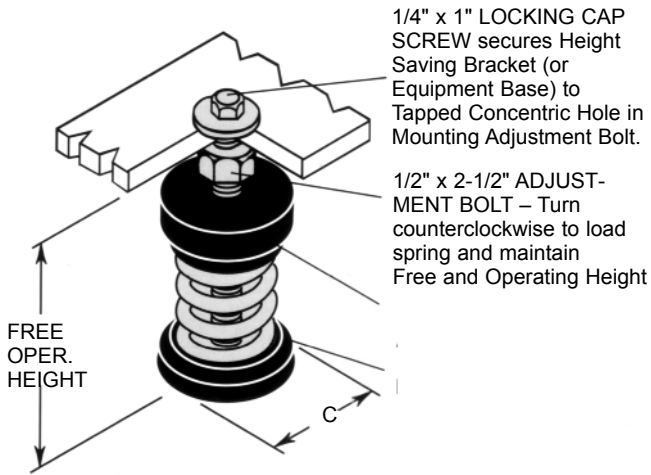
Email: sales@acousticalsurfaces.com

Visit our Website: www.acousticalsurfaces.com

We Identify and S.T.O.P. Your Noise Problem

SLF & SLFH Unhoused Spring Mounts

SLF – Unhoused Spring Mounts



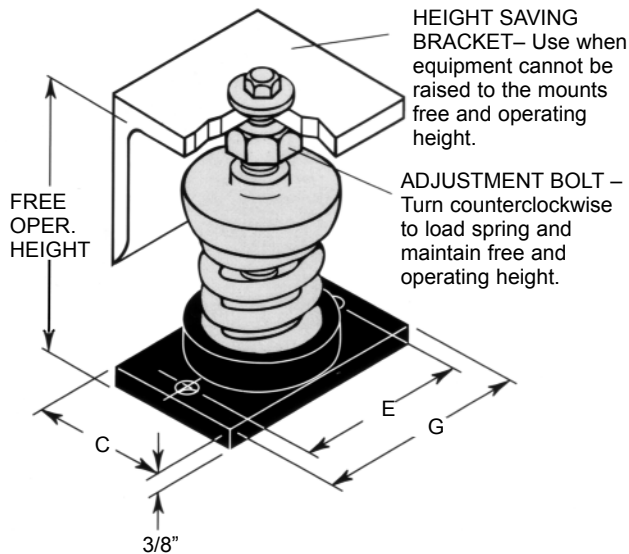
SLF & SLFH Unhoused Spring Mounts provide the greatest deflection- up to 2" to ensure excellent isolation. They are used to support equipment located on upper building levels where there are wide vibration sensitive spans. For outdoor applications where wind loads may affect lateral stability, see "C" housed spring mounts.

SLF 1" DEFL. UNHOUSED SPRING MOUNTS*

| Type & Size | Rated Capacity (lbs) | Rated Defl (in) | Mount Constant (lbs/in) | Spring Color/Stripe | Dimensions (inches) C | Free & Oper. (in) |
|-------------|----------------------|-----------------|-------------------------|---------------------|-----------------------|-------------------|
| SLF-X-23 | 23 | 1.30 | 18 | Brown | | |
| SLF-X-33 | 33 | 1.10 | 30 | Red | | |
| SLF-X-54 | 54 | 1.20 | 45 | White | | |
| SLF-X-76 | 76 | 1.02 | 73 | Black | | |
| SLF-X-113 | 113 | 1.00 | 113 | Yellow | 2 | 33/4 |
| SLF-X-130 | 130 | 1.00 | 130 | Purple | | |
| SLF-X-175 | 175 | 1.00 | 175 | Silver | | |
| SLF-X-210 | 210 | 1.00 | 210 | Blue | | |

*3/4" minimum deflection

SLFH – Unhoused Spring Mounts

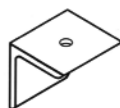


SLFH 1" DEFL. UNHOUSED SPRING MOUNTS*

| Type & Size | Rated Capacity (lbs) | Rated Defl (in) | Mount Constant (lbs/in) | Spring Color/Stripe | Dimensions (inches) | | | Free & Oper. (in) |
|-------------|----------------------|-----------------|-------------------------|---------------------|---------------------|---|------|-------------------|
| | | | | | C | E | G | |
| SLFH-A-45 | 45 | 1.60 | 28 | Blue | | | | |
| SLFH-A-75 | 75 | 1.50 | 50 | Orange | | | | |
| SLFH-A-125 | 125 | 1.33 | 94 | Brown | 2 1/4 | 3 | 35/8 | 41/4 |
| SLFH-A-200 | 200 | 1.15 | 174 | Black | | | | |
| SLFH-A-310 | 310 | 1.00 | 310 | Yellow | | | | |
| SLFH-A-400 | 400 | 1.00 | 400 | Green | | | | |
| SLFH-A-510 | 510 | 1.00 | 510 | Red | 2 1/4 | 3 | 35/8 | 45/8 |
| SLFH-A-625 | 625 | 1.00 | 625 | White | | | | |

*3/4" minimum deflection

SLFH one inch deflection spring mounts provide far greater vibration control than the lower deflection neoprene mounts. Each Powder coated steel spring is in series with neoprene, providing excellent isolation efficiency. The spring serves to isolate a broad range of disturbing vibration frequencies, while the rubber is a high frequency or noise break. Start and stop as well as horizontal wind force will require the use of C, SLR or SLFH Type mounts that have built-in horizontal limits.



Height Saving Bracket – Use when equipment cannot be raised to mounts free & operating height.

Continued on next page.

- Soundproofing Products • Sonex™ Ceiling & Wall Panels • Sound Control Curtains • Equipment Enclosures • Acoustical Baffles & Banners • Solid Wood & Veneer Acoustical Ceiling & Wall Systems
- Professional Audio Acoustics • Vibration & Damping Control • Fire Retardant Acoustics • Hearing Protection • Moisture & Impact Resistant Products • Floor Impact Noise Reduction
- Sound Absorbers • Noise Barriers • Fabric Wrapped Wall Panels • Acoustical Foam (Egg Crate) • Acoustical Sealants & Adhesives • Outdoor Noise Control • Assistive Listening Devices
- OSHA, FDA, ADA Compliance • On-Site Acoustical Analysis • Acoustical Design & Consulting • Large Inventory • Fast Shipment • No Project too Large or Small • Major Credit Cards Accepted



Acoustical Surfaces, Inc.

SOUNDPROOFING, ACOUSTICS, NOISE & VIBRATION CONTROL SPECIALISTS

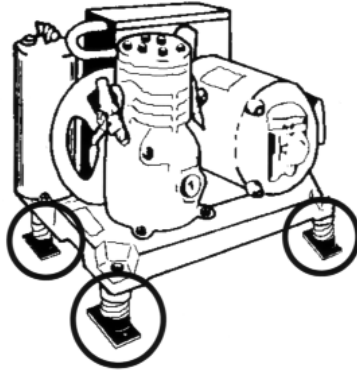
123 Columbia Court North • Suite 201 • Chaska, MN 55318

(952) 448-5300 • Fax (952) 448-2613 • (800) 448-0121

Email: sales@acousticalsurfaces.com

Visit our Website: www.acousticalsurfaces.com

We Identify and S.T.O.P. Your Noise Problem



SLFH 2" DEFL. UNHOUSED SPRING MOUNTS*

| Type & Size | Rated Capacity (lbs) | Rated Defl (in) | Mount Constant (lbs/in) | Spring Color/Stripe | Dimensions (inches) | | | Free & Oper. (in) | | | | |
|-------------|----------------------|-----------------|-------------------------|---------------------|---------------------|------|------|-------------------|------|------|------|------|
| | | | | | C | E | G | | | | | |
| SLFH-B-20 | 20 | 2.40 | 8 | Tan | 23/4 | 41/4 | 51/8 | 6 | | | | |
| SLFH-B-26 | 26 | 2.18 | 12 | White/Blue | | | | | | | | |
| SLFH-B-35 | 35 | 2.20 | 16 | Purple | | | | | | | | |
| SLFH-B-50 | 50 | 2.20 | 24 | White/Red | | | | | | | | |
| SLFH-B-65 | 65 | 2.10 | 31 | Brown | | | | | | | | |
| SLFH-B-85 | 85 | 2.10 | 40 | White/Black | | | | | | | | |
| SLFH-B-115 | 115 | 2.00 | 57 | Silver | | | | | | | | |
| SLFH-B-150 | 150 | 2.00 | 75 | Orange | | | | | | | | |
| SLFH-B2-210 | 210 | 2.12 | 99 | Silver | | | | | 23/4 | 41/8 | 51/4 | 63/4 |
| SLFH-B2-290 | 290 | 2.00 | 144 | Blue | | | | | | | | |
| SLFH-B2-450 | 450 | 2.00 | 224 | Tan | | | | | | | | |

*1 1/2" minimum deflection

SLFH two inch deflection spring mounts are for use on equipment located on upper level wide building spans, where more than one inch of deflection is needed to cancel the effect of the building span's deflection. Two inch deflection springs use the same holders as one inch springs.

INSTALLATION:

Block up equipment to mounts required free and operating height (see tables), then make connections to the unit. Position mounts under unit. Take two turns on each adjustment bolt working around the unit until springs are compressed just enough to remove blocks. Do not "jack up" equipment significantly during spring adjustment. All springs have additional travel to solid equal to 50% of the rated deflection except SLFH-B2-450, which has 38% at rated capacity.