



Acoustical Surfaces, Inc.

SOUNDPROOFING, ACOUSTICS, NOISE & VIBRATION CONTROL SPECIALISTS

123 Columbia Court North • Suite 201 • Chaska, MN 55318

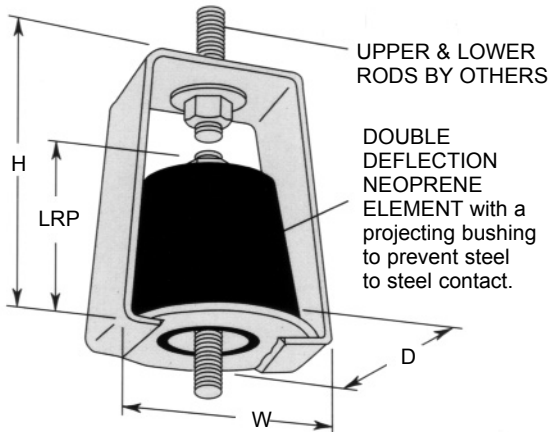
(952) 448-5300 • Fax (952) 448-2613 • (800) 448-0121

Email: sales@acousticalsurfaces.com

Visit our Website: www.acousticalsurfaces.com

We Identify and S.T.O.P. Your Noise Problem

HD – Doubler Deflection Neoprene Hangers



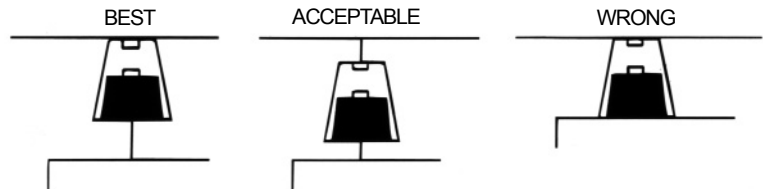
HD Neoprene Hangers offer the same increase static deflection and vibration control as ND mounts but in a sturdy steel hanger box.

HD NEOPRENE HANGERS

LRP-Lower Rod Penetration
MRD-Maximum Rod Dia.

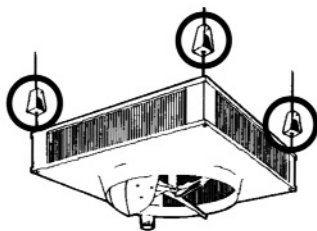
Type & Size (Color Mark)	Duro-meter	Rated Capacity Range (lbs)	Max Rated Defl (in)	D	Dimensions (inches)				
					H	W	LRP	MRD	
HD-Green	40	Up to 35	0.20	13/4	21/4	17/8	11/4	3/8	
HD-White	60	35-75	0.20						
HD-A-Black	30	Up to 45	0.35						
HD-A-Green	40	30-75	0.35	2	23/4	21/4	21/4	1/2	
HD-A-Red	50	60-125	0.35						
HD-B-Red	50	Up to 235	0.40						
HD-B-White	60	180-380	0.40	31/4	41/2	41/4	3	3/4	
HD-B-Yellow	70	320-650	0.40						

WHD – All box type spring hangers are available with eyebolts top and bottom and precompressed from the factory.



HD HANGER INSTALLATION:

Install hangers with gap on underside as shown. This allows the isolators to operate efficiently. The gaps also compensate for minor misalignment. Direct contact of the unit and hanger box "short circuits" the isolation.



HD hangers perform the best when used on equipment located adjacent to stiff support walls and columns, and suspended from narrow rigid upper building spans.

When suspending equipment from very wide vibration sensitive spans it may be necessary to select spring hangers with even higher deflections in order to cancel the effects of the span's own deflection or "sag". The isolator selected must have a static deflection at least three times greater than the span's deflection to insure minimum effective vibration control.